

**la tavola<sup>®</sup>**

**THE MIXOLOGY & BEVERAGE SERVICE LINE**



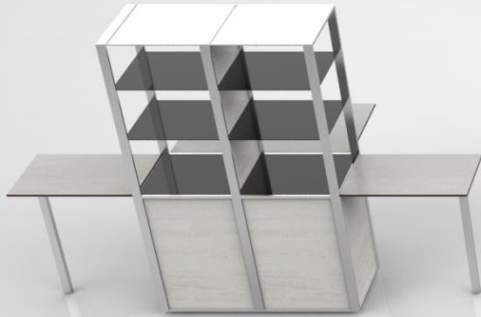
A top-down view of a stainless steel bar cart. The cart is organized with various items: a tray of bottles (one labeled 'APT'), a tray of glasses (one with ice), a tray of ice, a tray of lemons, and a tray of ice with a blue tool. The cart is set on a textured surface.

Copyright by La Tavola

This presentation or any part of it cannot be copied or distributed beyond the recipients for whom it is intended, unless explicit consent has been given by La Tavola

# OVERVIEW

The Octopus



The Egg



The Tree



Back Bar



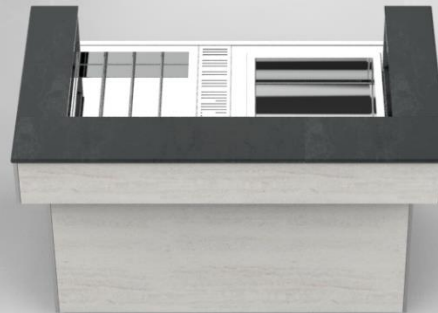
Cocktail  
&  
Buffet Tables



Mixology  
&  
Spirit Carts



Mixology Rover



Mixology & Beverage service Front Bar



Mixology & Beverage service  
Modular Platform

# TABLE OF CONTENTS

- [MIXOLOGY LINE](#)
  - [Shock glass freezer](#)
- [CULINARY MIXOLOGY](#)
  - [Fridge unit](#)
- [BEVERAGE SERVICE LINE](#)
- [MODULAR BEVERAGE PLATFORMS](#)
- [VERTICAL BUFFET & BACK BARS](#)
- [COCKTAIL & BUFFET TABLES](#)
- [ENTERTAINMENT & EVENTS](#)



**MIXOLOGY LINE**

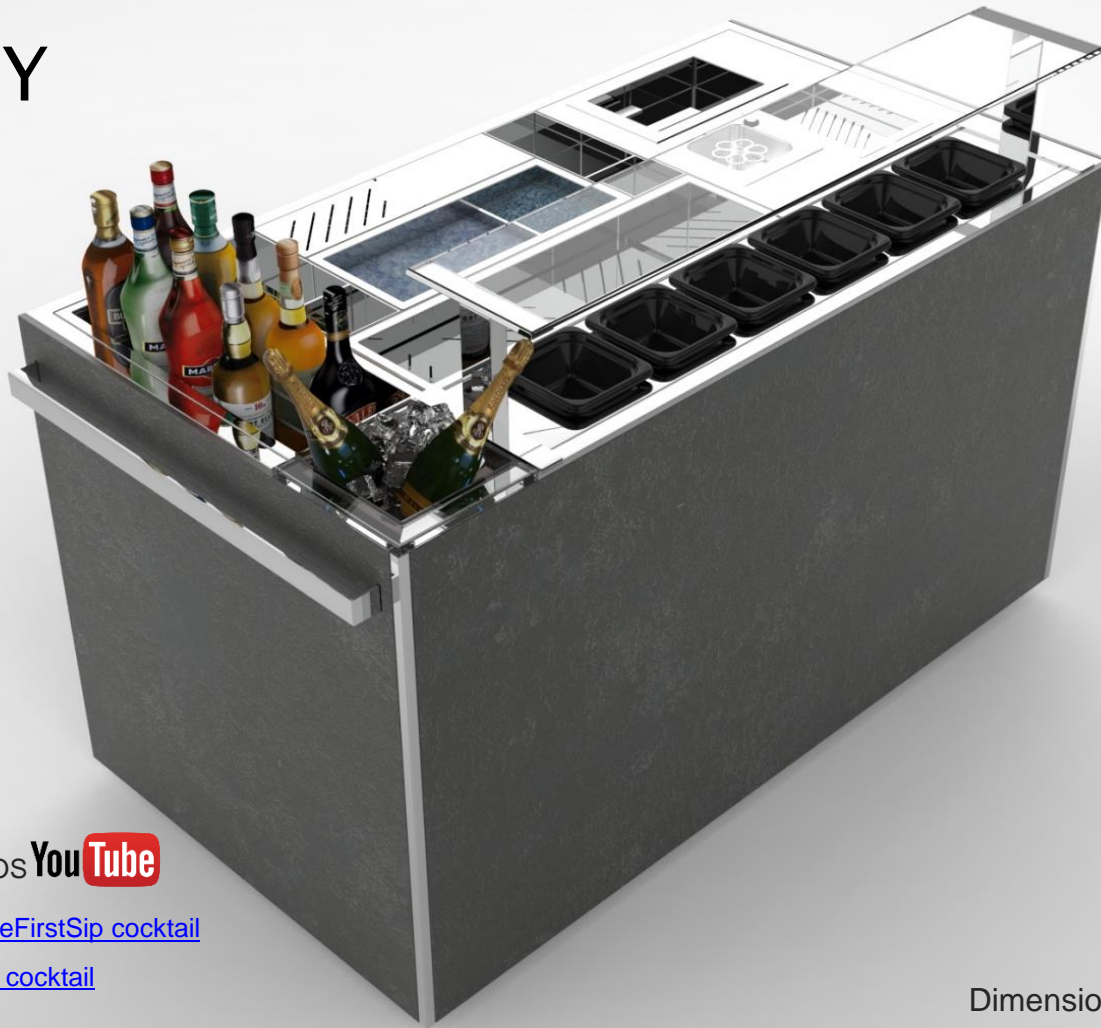
THE **MIXOLOGY ROVER**, **MIXOLOGY FRONT BAR** AND THE **MIXOLOGY CARTS** ARE THE TRUE HEART OR OUR MIXOLOGY LINE.


Providers of luxury and boutique accommodation know that discerning guests expect modern hotels to be equipped with a fully fitted bar in order to satisfy their desire to enjoy a cocktail or two when away for both business and pleasure. **No matter what the location**, take our mobile mixology solutions poolside, rooftop, lobby, ballroom – **your guests will never be more than a moment away from a cocktail!**



# MIXOLOGY ROVER

PATENT PENDING



CHECK OUT THESE VIDEOS 

[Mixology Rover - NothingLikeFirstSip cocktail](#)

[Mixology Rover - Tuttotondo cocktail](#)

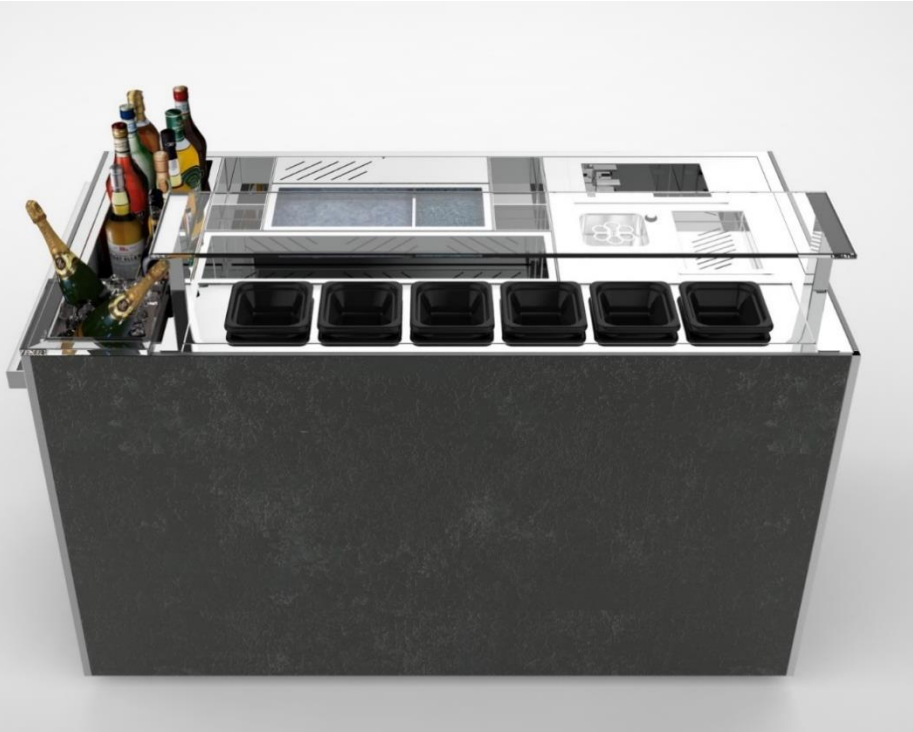
Dimensions: L 167, W 85, H 110 (cm)

## For Banqueting, Lobby Lounge, Roof Tops

The top notch Mixology station on the market. Equipped for culinary mixology operation. Customized finishes make it organic with existing / planned interior décor. Modern look.

# MIXOLOGY ROVER

PATENT PENDING



## Features:

- Sink
- Trash Bin
- Speed Bottle Rack
- Glass Holder
- [Shock Glass Freezer](#)
- Ice Block Holder
- Ice Bin (Cube / Crushed)
- Cocktail Drainer
- Tool Holder
- Countertop
- Tool Drainer
- Champagne Cooler
- Cooling Food Pans
- [Professional fridge unit](#) or insulated food boxes
- Heavy duty hidden wheels with brakes
- Edge protection system

**la tavola**<sup>®</sup>

Copyright by La Tavola



# SHOCK GLASS FREEZER



Shock freezer unit chills and sanitizes glasses in seconds keeping drinks cooler for longer, neither watering-down or altering the flavour and aroma of the beverage.

**Rechargeable battery**



- Wireless (integrated battery)
- Interchangeable CO2 cylinder
- Temperature: Up to  $-36^{\circ}\text{C}$

**la tavola**<sup>®</sup>

Copyright by La Tavola

# MIXOLOGY FRONT BAR

PATENT PENDING



Dimensions: L 180, W 93, H 110 (cm)

## For Banqueting, Lobby Lounge, Roof Tops

The top notch Mixology station on the market. Equipped for culinary mixology operation. Customized finishes make it organic with existing / planned interior décor. Classic look.

# MIXOLOGY FRONT BAR

PATENT PENDING




## Features:

- Sink
- Trash Bin
- Speed Bottle Rack
- Glass Holder
- [Shock Glass Freezer](#)
- Ice Block Holder
- Ice Bin (Cube / Crushed)
- Cocktail Drainer
- Tool Holder
- Countertop
- Tool Drainer
- Champagne Cooler
- Cooling Food Pans
- [Professional fridge unit](#) or insulated food boxes
- Heavy duty hidden wheels with brakes
- Edge protection system

**la tavola**<sup>®</sup>

Copyright by La Tavola

# MIXOLOGY CARTS

CHECK OUT THESE VIDEOS 

[Mixology Cart - AbsolutExtraordinary cocktail](#)

[Mixology Cart - LatoOscuroMule cocktail](#)

[Mixology Cart - MaiTardi cocktail](#)

PATENT PENDING



LARGE - OPENED  
120 x 60 cm – h 90 cm



SMALL  
90 x 60 cm – h 90 cm



LARGE - CLOSED  
120 x 60 cm – h 90 cm

## For Banqueting, Cocktail Bars, Roof Tops, Meeting Rooms, VIP Room Service

The modern mixologist's ultimate tool, this compact and mobile unit has optimized storage and space. The built-in shock freezer adds that wow factor.

Optional functions available: Ice Block Holder, Champagne Cooler (for large version only)

**la tavola**<sup>®</sup>

Copyright by La Tavola

# MIXOLOGY CARTS – LARGE (CLOSED version)

PATENT PENDING



## Features:

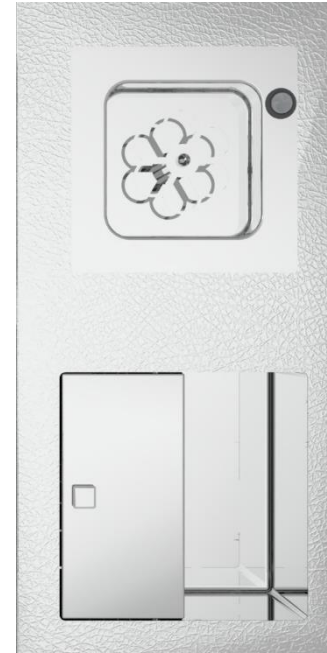
- Ice bin
- Bottles rack
- [Shock glass freezer](#)
- Tools storage drawer (1)
- Cocktail Drainer
- Ice Block Holder (option)
- Shaker washer
- Cylinder storage space for water/CO2 (2)
- Tumbler/Martini storage drawer (3)

**la tavola**<sup>®</sup>

Copyright by La Tavola

# MIXOLOGY CARTS – LARGE (OPENED version )

PATENT PENDING



Shock glass freezer – option 1    Glass washer – option 2

## Features:

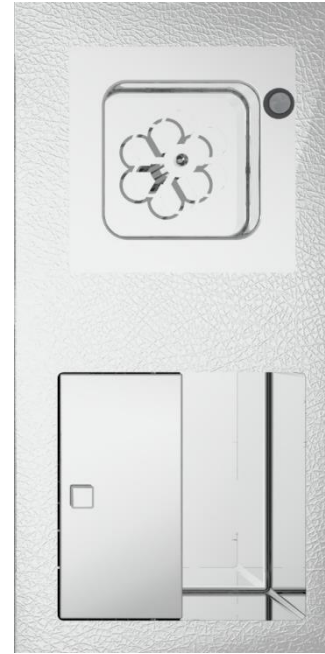
- Ice bin
- Cocktail Drainer
- Bottles rack
- Ice Block Holder (option)
- [Shock glass freezer](#) or glass washer
- Tumbler storage
- Martini glass rack

**la tavola**<sup>®</sup>

Copyright by La Tavola

# MIXOLOGY CARTS - SMALL

PATENT PENDING



Shock glass freezer – option 1    Glass washer – option 2

## Features:

- Cocktail Drainer
- Ice Bin
- Lower level bottles rack
- [Shock glass freezer](#) or glass washer
- Tumbler storage
- Martini glass rack



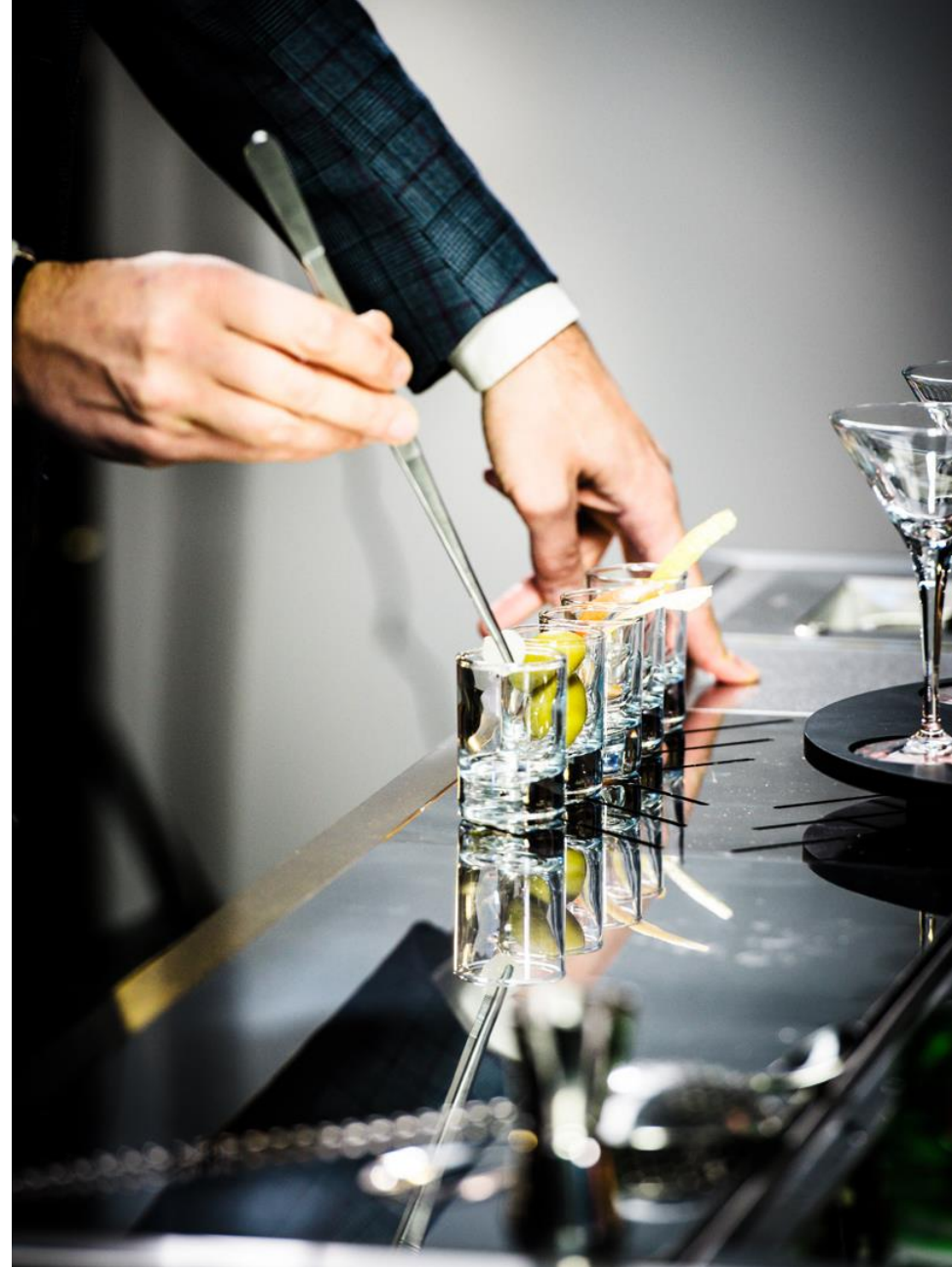
**CULINARY MIXOLOGY**  
THE ULTIMATE FRONTIER: COMBINING FOOD AND DRINK



CAPTURE THE RISING TREND OF MARRYING GOURMET EDIBLE INGREDIENTS AND THE ART OF COCKTAIL CRAFTING WITH OUR CULINARY MIXOLOGY STATION!

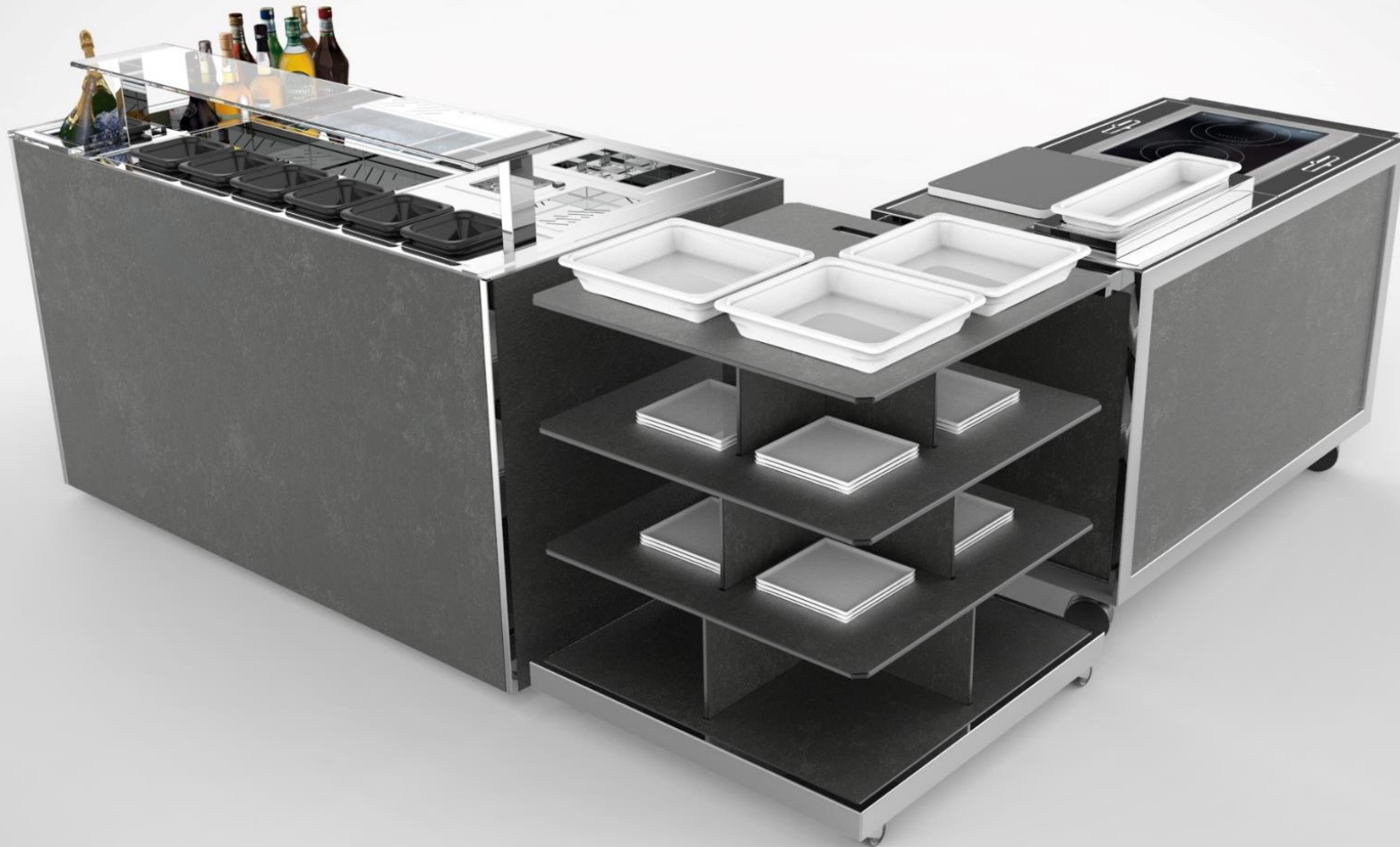
The set-up is a combination of the **Culinary Cart** & the **Mixology Rover**, connected together to form a single L-shaped unit which allows a chef and a mixologist to combine their magic to bring guests innovative cocktails which push culinary boundaries...

**A real wow factor ensues when the alchemy of ingredients comes together with mixology.**



# CULINARY MIXOLOGY STATION

PATENT PENDING



# CULINARY MIXOLOGY STATION

PATENT PENDING



## CULINARY CART:

- Teppanyaky Plate or Induction Cooking unit
- Electric Warming unit with Porcelain Pans 1 / 4 GN
- 60x30 working area
- Lower Storage space
- Sliding doors with culinary tool storage

## MIXOLOGY ROVER:

- Sink
- Trash Bin
- Speed Bottle Rack
- Glass Holder
- [Shock Glass Freezer](#)
- Ice Block Holder
- Ice Bin (Cube / Crushed)
- Cocktail Drainer
- Tool Holder
- Countertop
- Tool Drainer
- Champagne Cooler
- Cooling Food Pans
- [Professional fridge unit](#) or insulated food boxes

**la tavola**<sup>®</sup>

Copyright by La Tavola

# FRIDGE UNIT

THE PERFECT TOOL FOR CULINARY MIXOLOGY



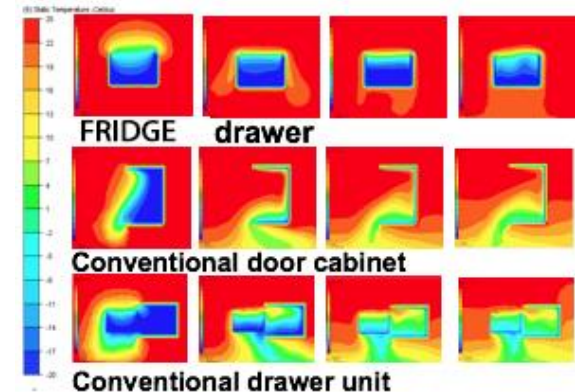
*Professional system to preserve cold inside the drawer when open it*

**Dimension:** 110x70 – h 35 cm

**Drawer dimension:** Up to 4 1/1 GN pans storage

**Power:** 230 V - 50 Hz also 60 Hz available

Fridge to Freezer temperature regulation switchable in minutes. Accurate and stable at any temperature.



## Operational benefits

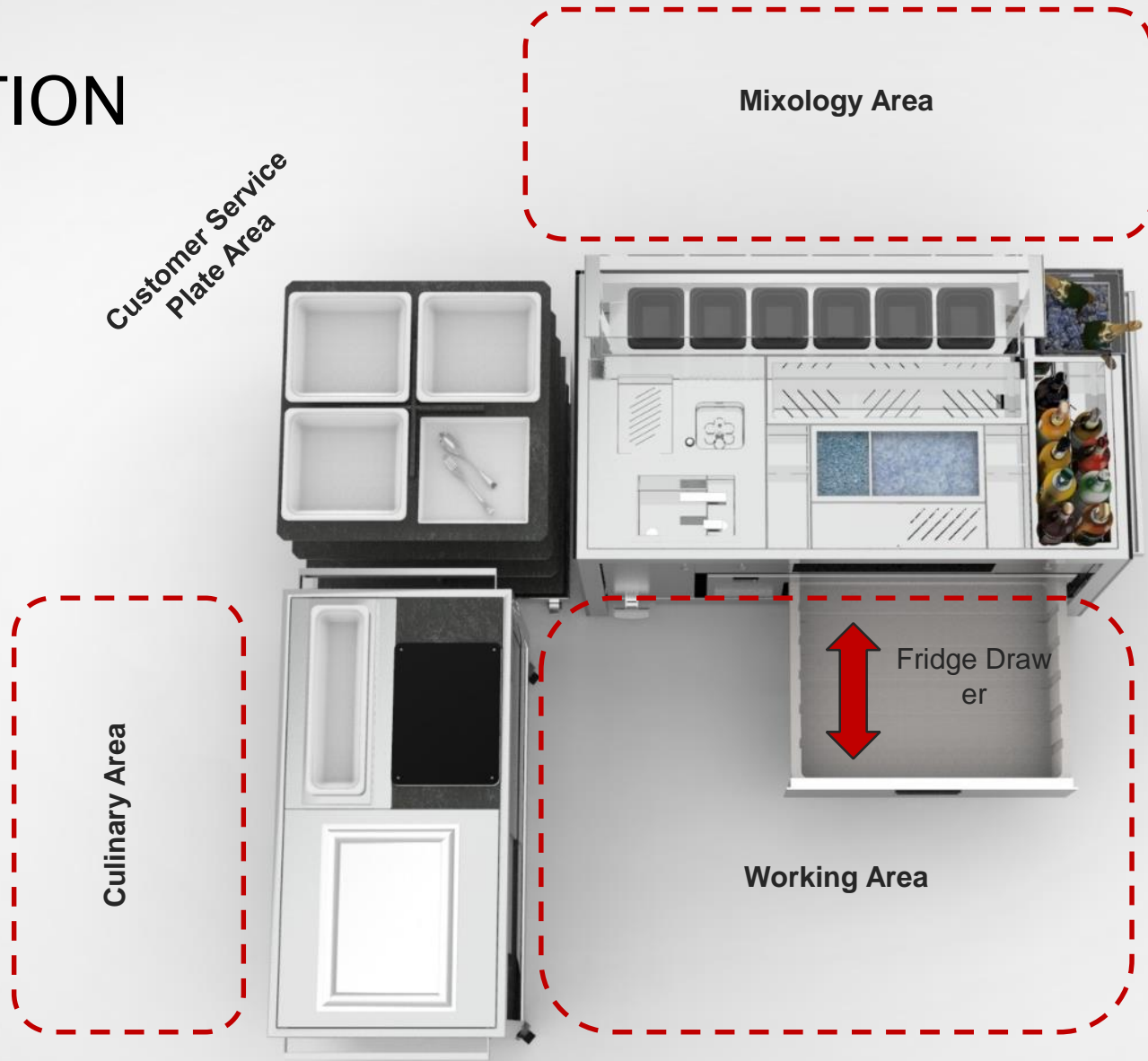
- Reliable: amazing temperature stability
- Green: extremely energy efficient
- Cuts food wastage
  - Food does not dehydrate
  - No freezer burn or ice crystal
  - No condensation on the food
- Ergonomically efficient
- Minimal maintenance costs
- Quick and easy to clean
- Robust and reliable

**la tavola**<sup>®</sup>

Copyright by La Tavola

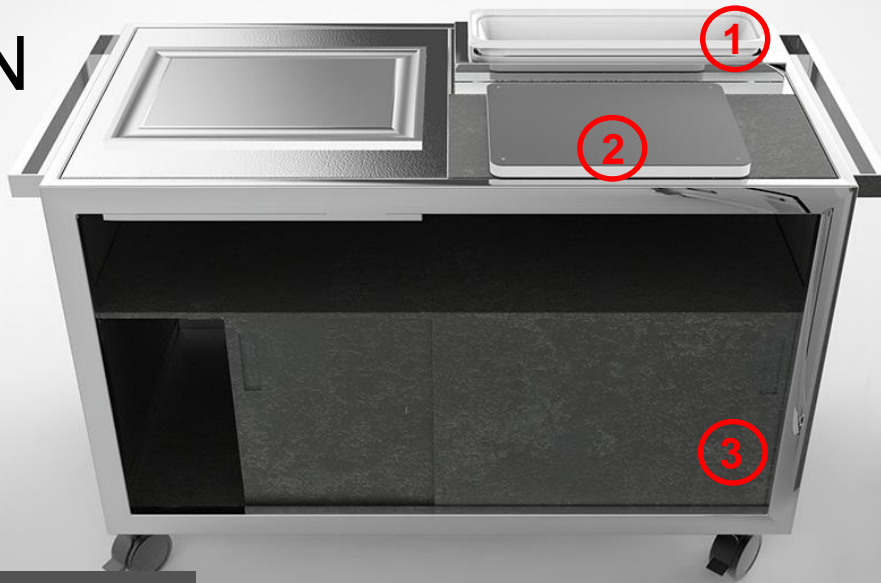
# OPERATION

PATENT PENDING



PATENT PENDING

# CULINARY CART STATION



## Warming Top with Food Pans (1)

- Food Pan size: 2 /4 GN  
(53x16,2 cm – h 6,5 cm)
- 700 Watt
- 220 V -110 V

## Working Area (2)

## Storage Area (3)

Dimension: 120 x 60 cm – h 90 cm

## SHOWCOOKING OPTIONS:



### Induction Cooking version

- 3500 Watts, 230/240 V  
(USA-EU market)
- 3000 Watts, 230/240 V  
(UK market)



### Dual Induction Cooking version

- 3000 Watts x 2
- 220 V



### Teppanyaki (Electric) Plate version

- 3000 Watts
- 220 V

**la tavola**<sup>®</sup>

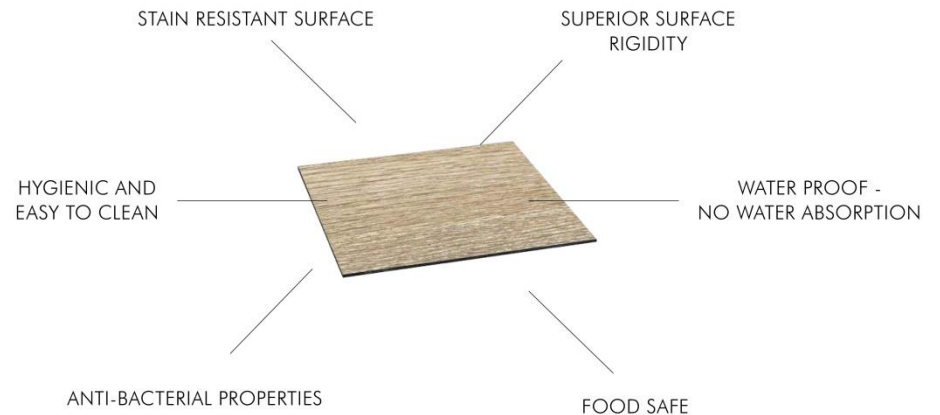
Copyright by La Tavola

# HPL TABLE TOPS AND SIDES

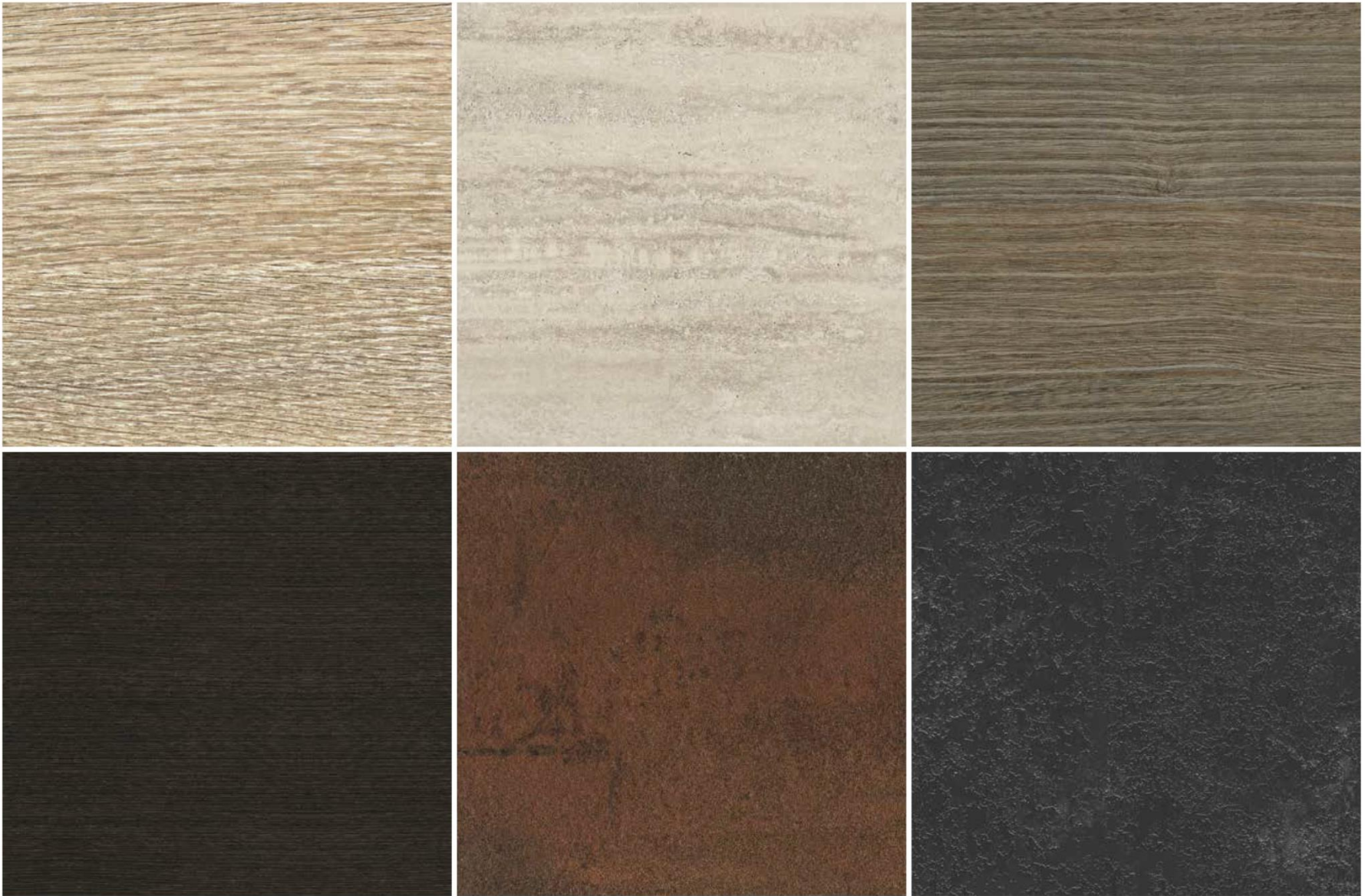
LIGHTWEIGHT,  
DURABLE AND EASY  
TO CLEAN

The tiles are made of **High Pressure Laminate (HPL)**, a high-performing material ideal for the intensive use which is typical in the foodservice industry.

HPL tops and sides are durable and lightweight. They have a great look and feel, and with a variety of different finishes available, matching your interior décor is easy.



**MATERIALS** - HPL TABLE TOPS AND SIDES



**MATERIALS** - HPL TABLE TOPS AND SIDES



A close-up photograph of a hand pouring white wine from a bottle into two glasses. The wine is captured mid-pour, creating a thin stream that falls into the left glass. The background is dark and blurred, showing a person's face and a bar setting. A red banner with white text is overlaid on the center of the image.

**BEVERAGE SERVICE LINE**

A FORMIDABLE COLLECTION OF  
OPTIONS FOR YOU TO KEEP GUESTS  
HAPPY, WHETHER IT'S WITH A MID-  
MEETING COFFEE BREAK OR A LATE  
NIGHT DIGESTIF SAMPLER!

Mobile options including the **Beverage service  
Front Bar, Beverage service Cart, Beer Cart,  
Coffee Cabinet, Wine & Spirits Cart** - all of  
which are the epitome of luxury service for a true  
**VIP service for your guests!**



# BEVERAGE SERVICE FRONT BAR

PATENT PENDING



Dimensions: L 180, W 93, H 110 (cm)

## For Banqueting, Lobby Lounge, Roof Tops

Elegant and functional mobile bar, easily deployed in different areas of the property. Customized finishes make it organic with existing / planned interior decor

# BEVERAGE SERVICE FRONT BAR

PATENT PENDING



## Standard Features:

- Speed Bottle Rack
- Champagne Cooler
- Cocktail Drainer
- Tool holder
- Ice pan (crushed/cube)
- Countertop
- Glass Storage under the top (sliding)
- Ice Bottle Caddy (sliding)
- Trash drawer (under the working surface)
- Liquid Recovery Tank (under the top)
- Storage space

**la tavola**<sup>®</sup>

Copyright by La Tavola

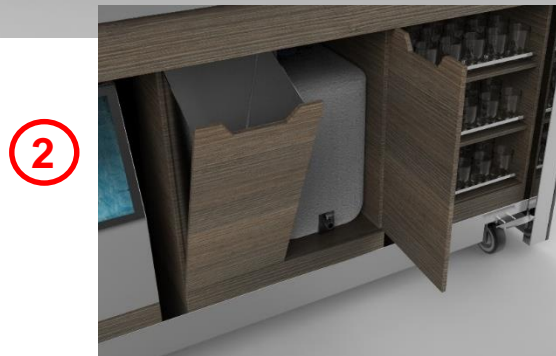
back side

PATENT PENDING



### Ice Bottle Caddy

- Insulated
- Liquid Recovery system
- Sliding tray for easy access and cleaning



### Trash Bin + Liquid Recovery Tank

- Separate cabinet for Trash Bin
- Tank hide with a door cabinet
- Sliding base for easy tank removing and easy trash bin clean



### Glass Holder

- 3 levels
- Anti-fall edge
- Different size glass storage
- Sliding base for easy access
- Up to 80 glasses

**la tavola**<sup>®</sup>

Copyright by La Tavola

# BEVERAGE SERVICE CART

PATENT PENDING



Dimensions: L 120, W 60, H 90 (cm)

## For Banqueting, Welcome Cocktails, Roof Tops, Meeting Rooms, VIP Room Service

Elegant beverage service cart, this compact and mobile unit has optimized storage and space. The multi-panel finish allows the cart to blend into any existing interior décor and makes it a veritable piece of design furniture

**la tavola**<sup>®</sup>

Copyright by La Tavola

# BEVERAGE SERVICE CART

PATENT PENDING



## Features:

- Speed Bottle Rack
- Glass Holder (Wine glass, flute)
- Storage space on the bottom level
- Champagne Cooler
- Heavy duty wheels with brakes

# BEER CART

PATENT PENDING



Dimensions: L 125, W 65, H 90 (cm)

**For Lobby Lounge, Roof Tops, Drink Service, Vip rooms**

This distinctive and iconic piece of functional furniture makes for a stunning complement to an original approach to drink service.



# BEER CART

PATENT PENDING



*Engine aeration*



*Glass Holder and Shock Freezer unit*

## Features:

- Beer drainer
- Shock Glass Freezer
- Engine Aeration
- 60 x30 cm Beer Glass Holder
- Heavy duty wheels with brakes

# COFFEE CABINET

PATENT PENDING



Dimensions: L 125, W 65, H 90 (cm)

**For Lobby Lounge, Roof Tops, Coffee Breaks, Vip rooms**

This distinctive and iconic piece of functional furniture makes for a stunning complement to an original approach to coffee break service.

# COFFEE CABINET

PATENT PENDING



## Features:

- Bin for coffee grounds
- Water tank
- Electric water pump for coffee machine
- Lower level coffee cup storage
- Lower level storage space (sliding doors)
- Heavy duty wheels with brakes

**la tavola**<sup>®</sup>

Copyright by La Tavola

# WINE & SPIRITS CART

PATENT PENDING



Dimensions: 90 x 60 x 90

## For Banqueting, Restaurants, Roof Tops, VIP Room Service

An immediate mood lifter, this cart has ample storage space for bottles and glasses, as well as all the utensils needed for service. A must have for serious wine tasting and after dinner sessions

**la tavola**<sup>®</sup>

Copyright by La Tavola

# WINE & SPIRITS CART

PATENT PENDING



## Features:

- One push&pull drawer
- Additional working area (push&pull)
- Bottle rack for up to 16 bottles (on the top)
- Stainless steel display for 5 bottles on bottom level
- Glass rack
- Heavy duty wheels with brakes

**la tavola**<sup>®</sup>

Copyright by La Tavola

A close-up photograph of a hand in a dark suit sleeve pouring water from a clear glass into another glass on a bar counter. The background is blurred, showing a bar setting with various bottles and equipment. A red banner with white text is overlaid on the image.

## MODULAR BEVERAGE PLATFORMS

BOTH THE MODULAR BEVERAGE PLATFORMS AND THE MIXOLOGY PLATFORMS INCLUDE 3 UNIQUE MODELS OF PLATFORM TO CHOOSE FROM:

THE **NESTING/CATERING TABLES**, THE **GRAND** & THE **BRIDGE**!

Each platform comes equipped with a glass holder, trash bin, cocktail drainer, speed bottle rack, champagne cooler and 2-tier counter top. Additionally, there are many other functions that can be used in conjunction with each platform depending on your needs.

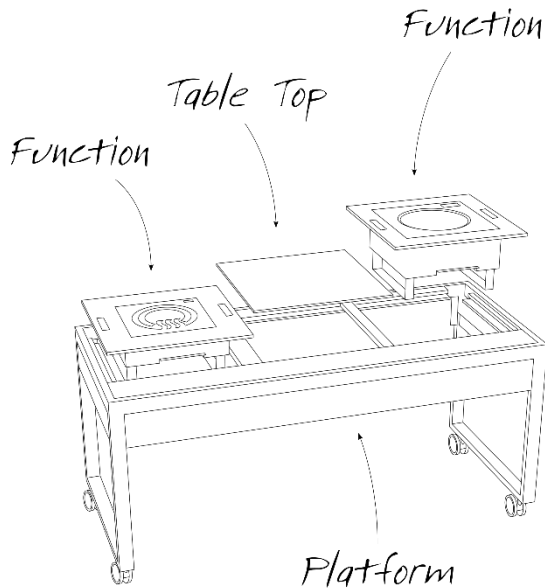
**Discover how you can revolutionize your property's beverage service!**



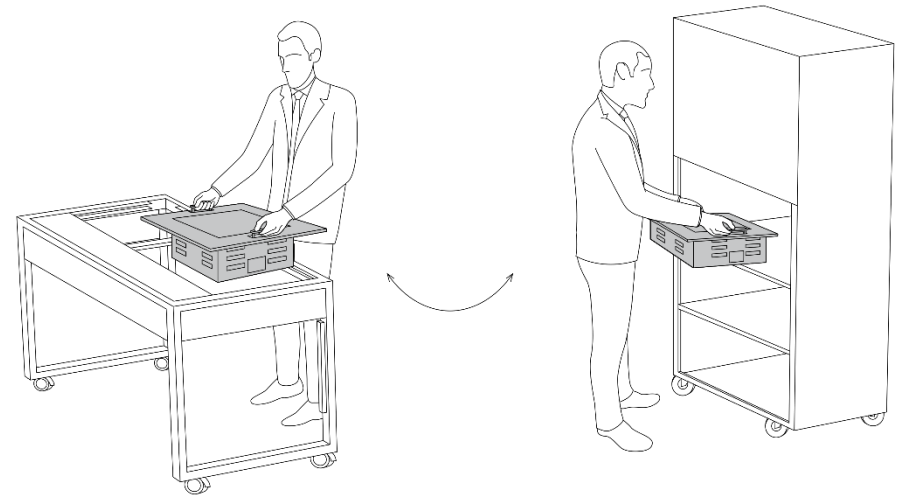
# BOUNDLESS MODULARITY

La Tavola's Modular Line features **the widest range of Mixology and Beverage service functions** currently available on the market.

With **over 15 Mixology and Beverage service** functions available, the  **DYNAMIC BUILT-IN MODULAR SYSTEM®** gives La Tavola's platforms total versatility.




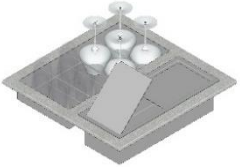










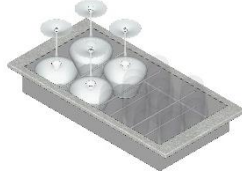


Use a combination of the **built-in functions** interchangeably on any La Tavola platform. When not in use, simply store the functions on the **dedicated rack**.





# MODULAR BEVERAGE FUNCTIONS

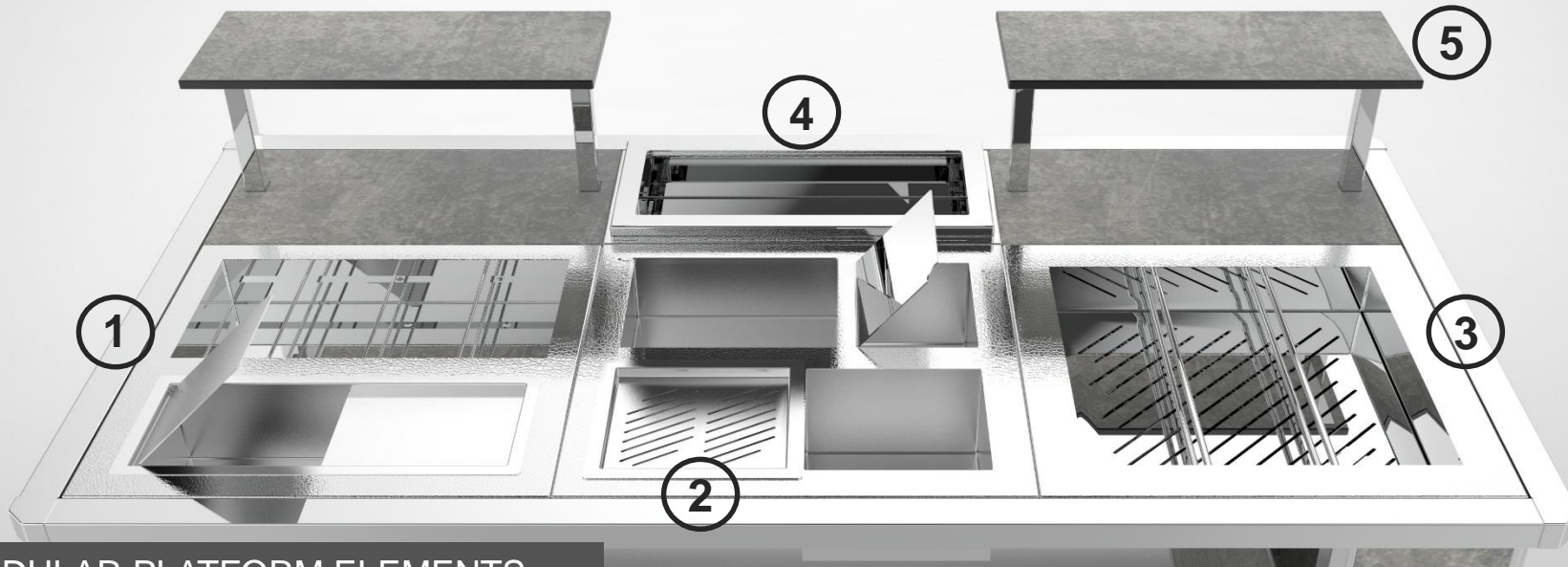
				
Small Counter Glass Top	Small Counter Top	Large Counter Top	Glass Holder + Trash Bin	Multifunctional Cocktail tile
				
Drainer + Trash Bin	Drainer + Pans + Tools	Drainer	Small Bottle Holder	Ice Block Holder
				
Small Champagne Well	Large Champagne Well	Large Bottle Holder	Large Glass Holder	Small Glass Holder

AVAILABLE ON:



# MIXOLOGY PLATFORMS SETUP

PATENT PENDING

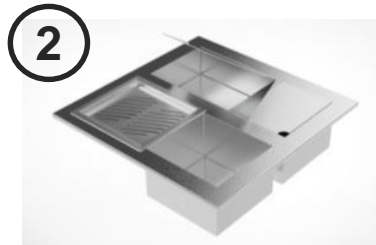


## MODULAR PLATFORM ELEMENTS



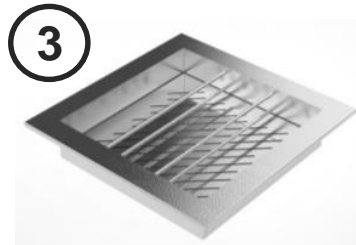
### GLASS HOLDER TILE & TRASH BIN

- Up to 10 glasses
- Heavy duty St. steel structure
- Working area and trash bin
- **60 x 60 cm**



### COCKTAIL DRAINER & ICE BIN

- Cocktail drainer
- Storage for tools
- Cube Ice bin
- Crushed ice or trash bin
- **60x60 cm**



### SPEED BOTTLE RACK

- Up to 12 bottles
- Recovery liquid system
- **60 x 60 cm**



### CHAMPAGNE COOLER

- Up to 3 bottles
- Recovery liquid system
- **60 x 30 cm**



### COUNTERTOP

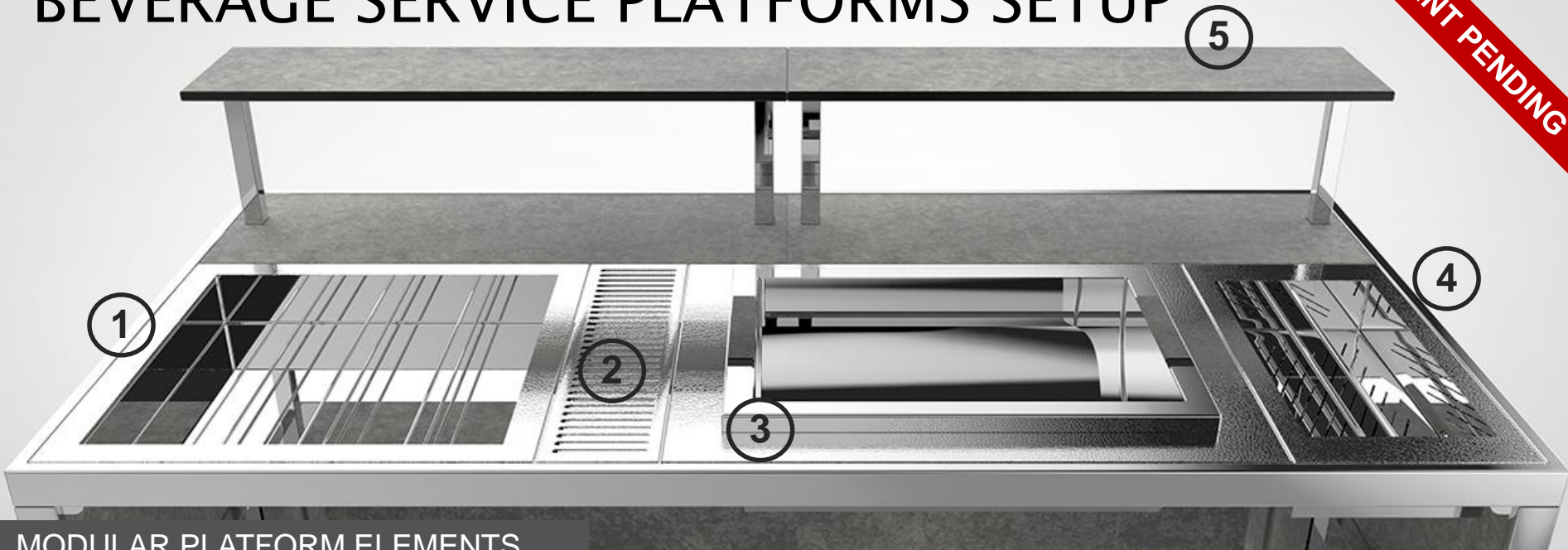
- St. steel structure
- Easy to remove
- HPL base
- HPL countertop surface
- **60x30 cm**

**la tavoloia**

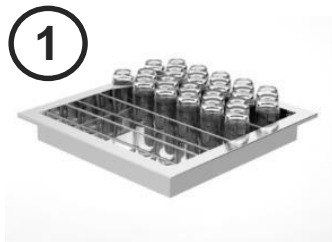
Copyright by La Tavola

# BEVERAGE SERVICE PLATFORMS SETUP

PATENT PENDING

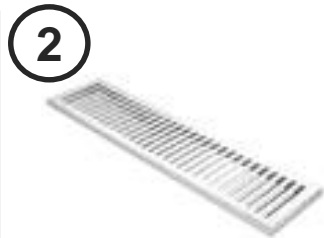


## MODULAR PLATFORM ELEMENTS



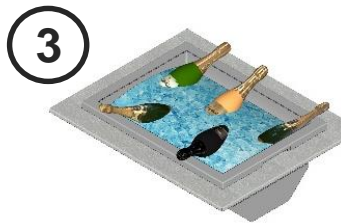
**Glass Holder**

- Up to 10 glasses
- Heavy duty St. steel structure
- **60 x 60 cm**



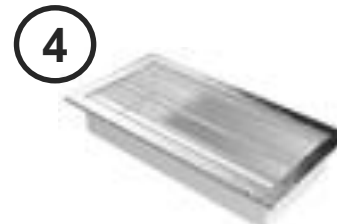
**Cocktail Drainer**

- St. steel structure
- Easy to clean
- Liquid Recovery system
- **60x15 cm**



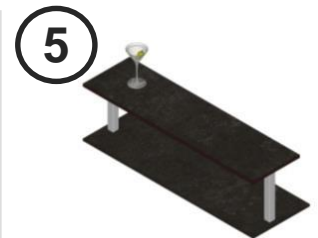
**Champagne Cooler**

- Condensation recovery system
- Drainage system with faucet
- Easy to clean
- **75 x 60 cm**



**Speed Bottle Rack**

- Up to 10 bottles
- Recovery liquid system
- **60 x 30 cm**



**Countertop tile**

- St. steel structure
- Easy to remove
- HPL base
- HPL countertop surface
- **90x30 cm**

**la tavola**<sup>®</sup>

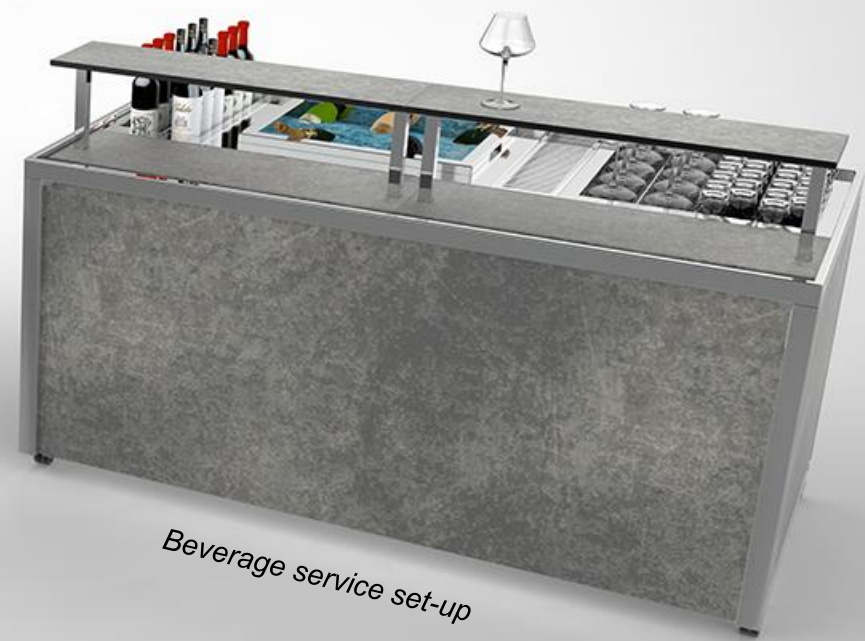
Copyright by La Tavola

# NESTING/CATERING

PATENT PENDING



Mixology set-up



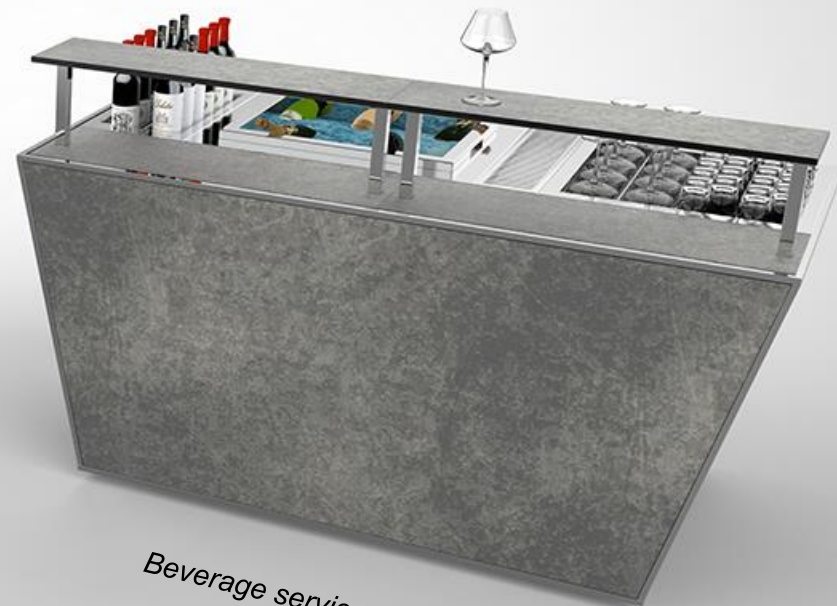
Beverage service set-up

# GRAND

PATENT PENDING



Mixology set-up



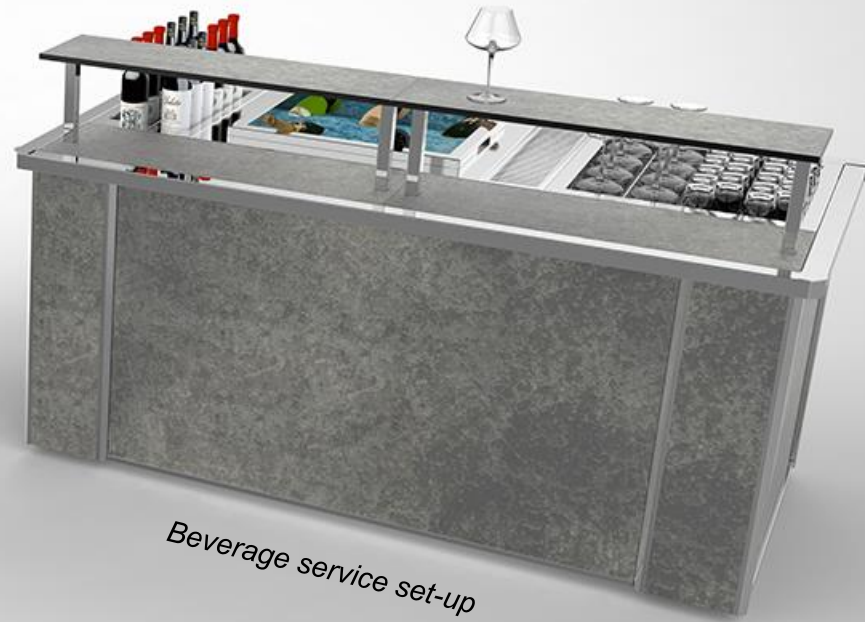
Beverage service set-up

# BRIDGE

PATENT PENDING



*Mixology set-up*



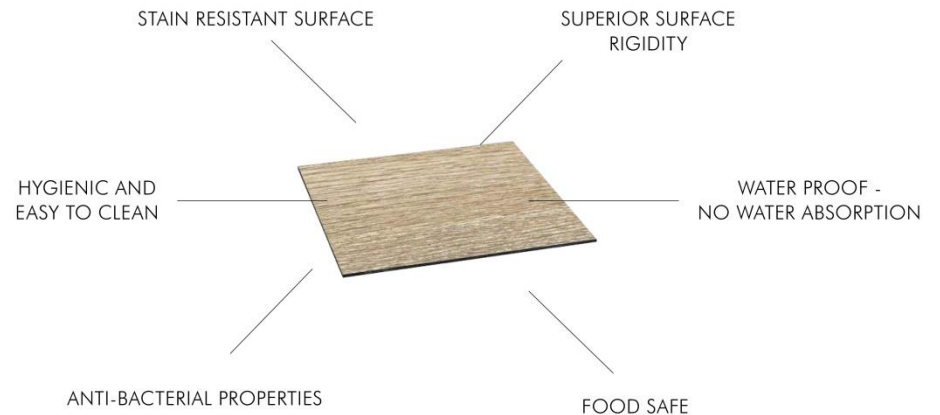
*Beverage service set-up*

# HPL TABLE TOPS AND SIDES

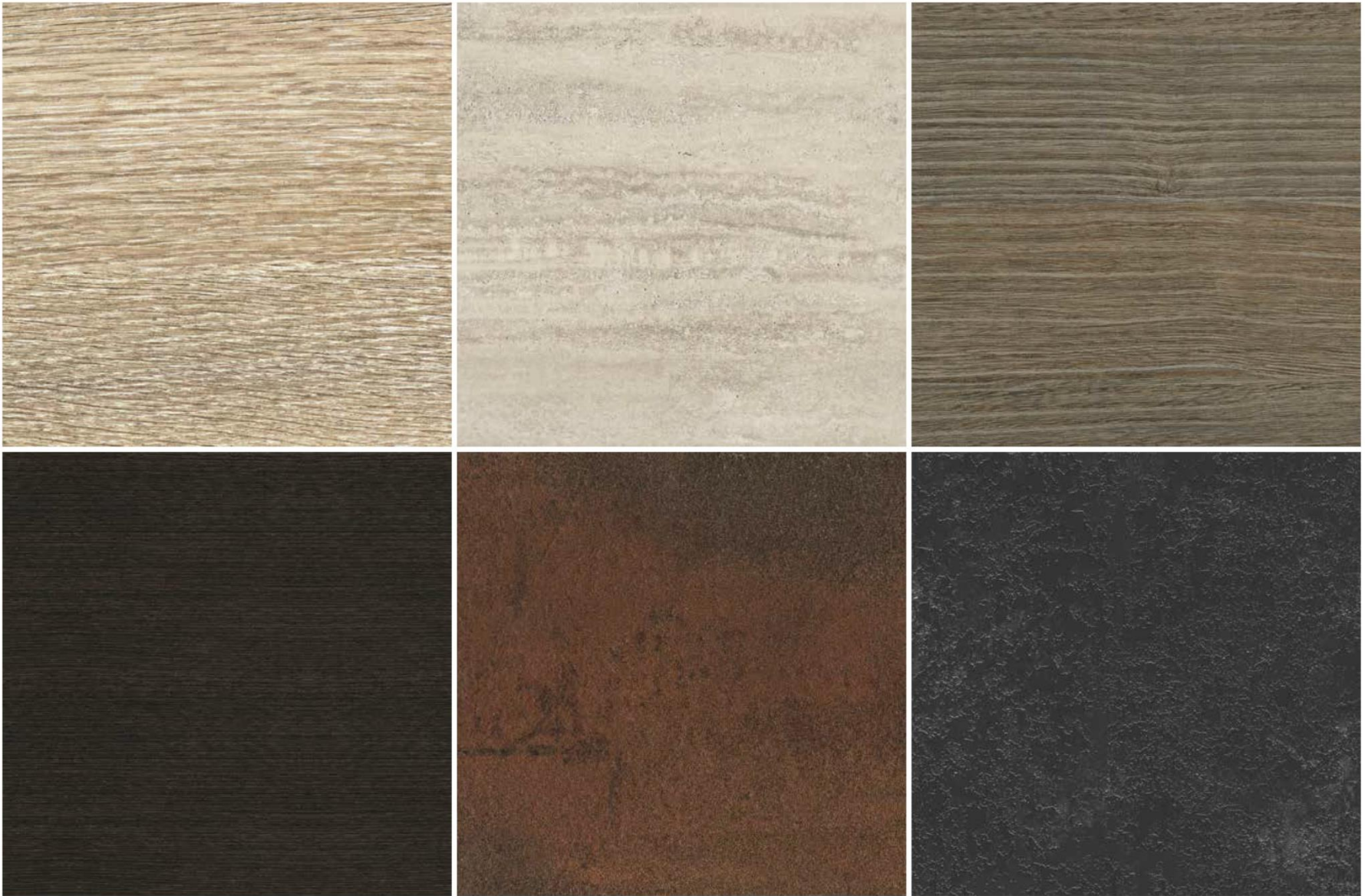
LIGHTWEIGHT,  
DURABLE AND EASY  
TO CLEAN

The tiles are made of **High Pressure Laminate (HPL)**, a high-performing material ideal for the intensive use which is typical in the foodservice industry.

HPL tops and sides are durable and lightweight. They have a great look and feel, and with a variety of different finishes available, matching your interior décor is easy.



**MATERIALS** - HPL TABLE TOPS AND SIDES



**MATERIALS** - HPL TABLE TOPS AND SIDES



A bartender in a dark suit and glasses is working behind a modern bar. He is focused on a task, possibly preparing a drink or food item. The bar features a vertical buffet counter with various bottles, glasses, and food items. The background shows shelves with more bottles and glasses, and a decorative cylindrical light fixture. A red banner with white text is overlaid on the image.

**VERTICAL BUFFET & BACK BARS**

WE HAVE REVOLUTIONIZED THE BUFFET SET-UP WITH A BRAND NEW CONCEPT OF VERTICAL-STYLE FOODSERVICE.

No longer is the buffet a one-sided, one-dimensional unit, but a rotational, multi-level wonderland composed of our signature pieces such as **The Egg**, **The Tree** and **The Octopus**. Discover the beauty and functionality of Italian design which allows you to mix and match hardware that optimizes surface area for both foodservice and storage by **taking advantage of not only floorspace, but vertical heights too!**



# MOBILE BACK BAR



**For Banqueting, Lobby Lounge, Roof Tops, Coffee Breaks**

This distinctive and iconic piece of functional furniture makes for a stunning complement to an original approach to coffee break service.

**la tavola<sup>®</sup>**

Copyright by La Tavola

# MOBILE BACK BAR



COFFEE BREAK SERVICE



BAR AND BOTTLE DISPLAY

## Features:

- L 140, W 65, H190 (cm)
- 2 large bottom drawers (push & pull)
- Edge protection system
- Large display/service area
- Heavy duty designer wheels with brakes
- **Available with lights**



**la tavola**<sup>®</sup>

Copyright by La Tavola

# FRONT AND BACK BAR WITH LIGHTS



# THE 'TREE' BACK BAR



## For Banqueting, Lobby Lounge, Coffee Breaks, All Day Dining

This distinctive and iconic piece of functional furniture makes for a stunning complement to an original approach to coffee break service. In its sloping shelf version the "Tree" is a stunning complement for ADD, ideal for bread, fruit, vegetables and pastry display

**la tavola**<sup>®</sup>

Copyright by La Tavola

# THE 'TREE' BACK BAR

PATENT PENDING



BACK BAR -  
COFFEE BREAK VERSION



BACK BAR -  
COCKTAIL VERSION

## Features:

- L 130, W 70, H 180 (cm)
- Large display/service area
- Lower edge protection system
- Heavy duty designer wheels with brakes
- Available with horizontal shelves or sloping shelves
- Available with lights



la tavola®

Copyright by La Tavola

# THE TREE BACK BAR WITH LIGHTS





# THE DOUBLE TREE

PATENT PENDING



Dimensions: L130, W110, H170

## For Ballroom, VIP Room Service, Pre-function Room

This distinctive and iconic piece of functional furniture makes for a stunning complement to an original approach to buffet stations.

# THE DOUBLE TREE

PATENT PENDING

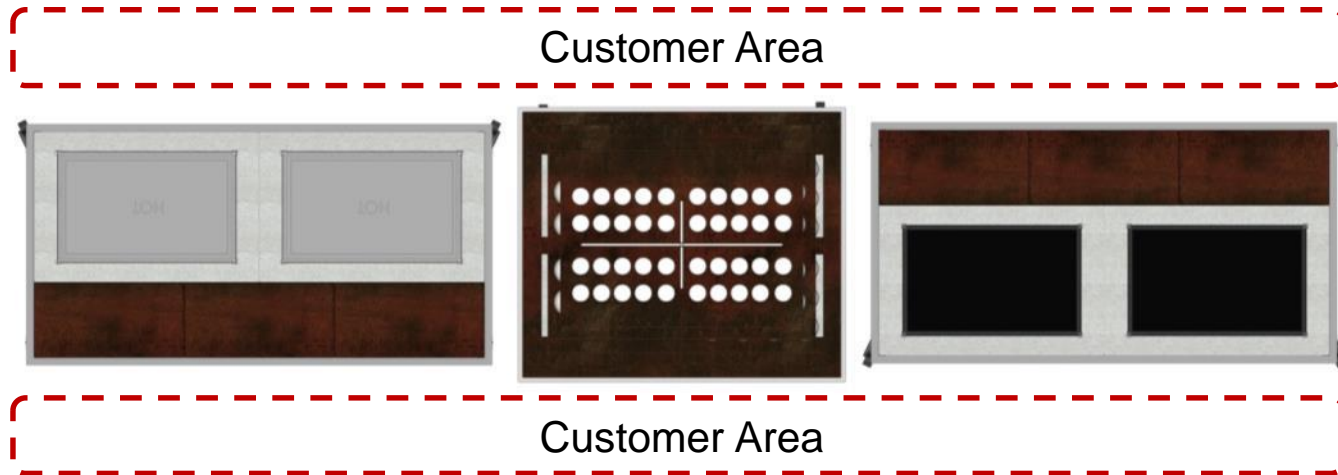


## Features:

- L 130, W 110, H 170 (cm)
- Heavy duty wheels with brakes
- Heavy duty Stainless steel base
- 4 finger food display levels
- Different finishes available

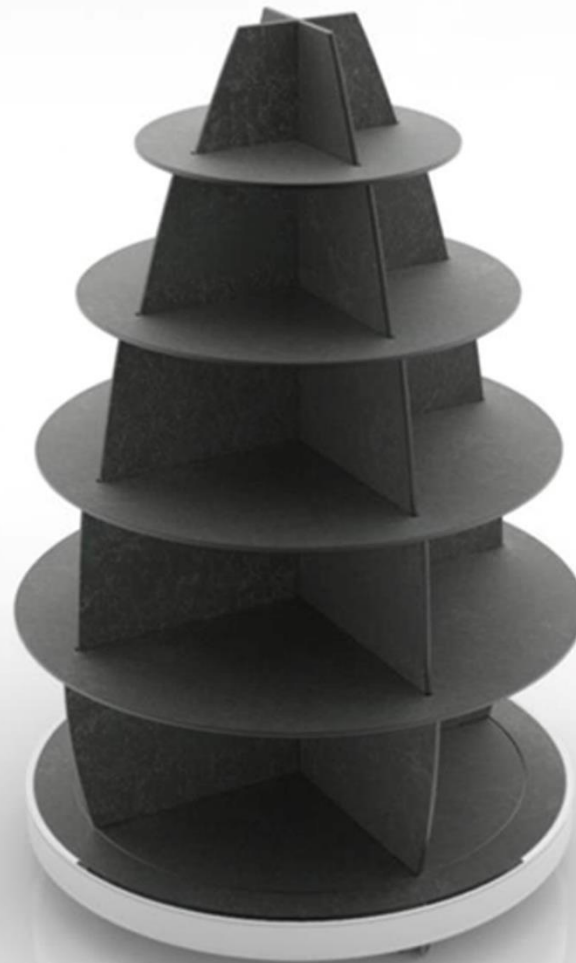
# THE DOUBLE TREE – TWO SIDE BUFFET

PATENT PENDING



# THE EGG

PATENT PENDING



## For Ballroom, VIP Room Service, Prefunction Room

This distinctive and iconic piece of functional furniture makes for a stunning complement to buffet stations or an original approach to a single central station.

**la tavola**<sup>®</sup>

Copyright by La Tavola

# THE EGG

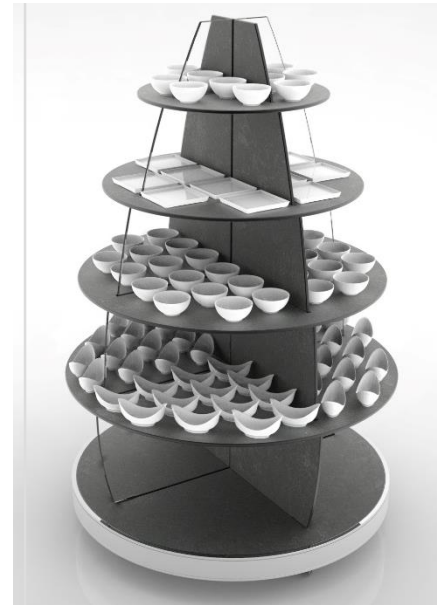
PATENT PENDING



*Rotating structure*



*HPL version*



*Semi transparent version*



*Transparent version*

## Features:

- L 110 d., H 170 (cm)
- 4 fingerfood display levels
- Refill & Rotate system
- Heavy duty wheels (2 with brakes)
- Heavy duty stainless steel base
- Different finishes available
- “See through” vertical wall optional

# “THE EGG” VERTICAL BUFFET

PATENT PENDING

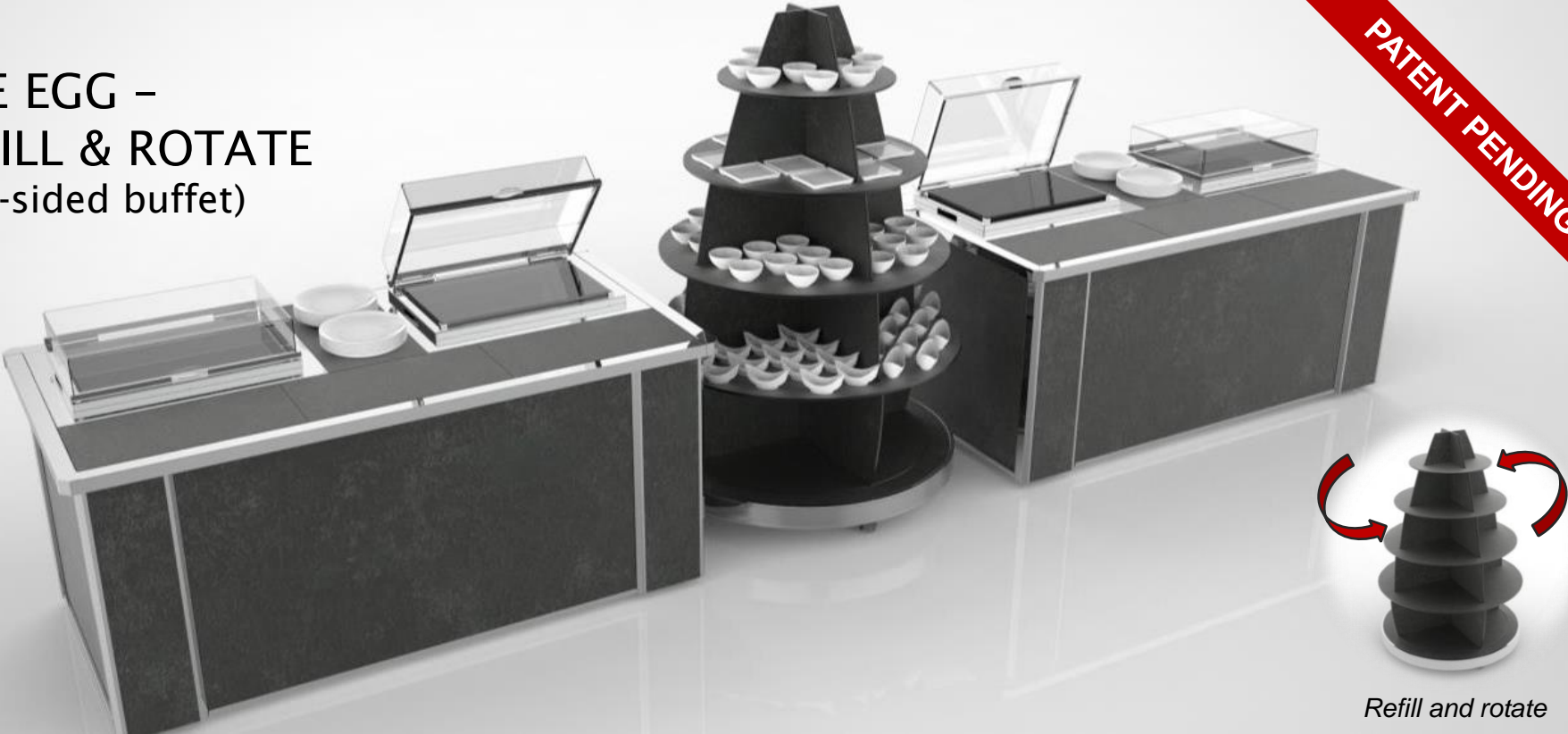


**la tavola**<sup>®</sup>

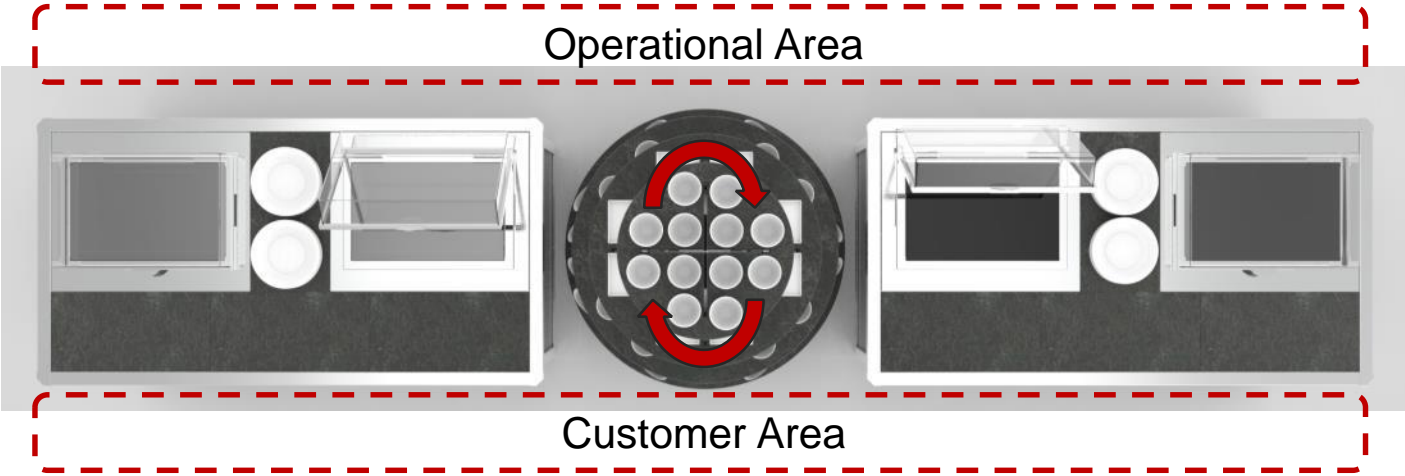
Copyright by La Tavola

# THE EGG - REFILL & ROTATE (one-sided buffet)

PATENT PENDING



Refill and rotate



**la tavola**<sup>®</sup>

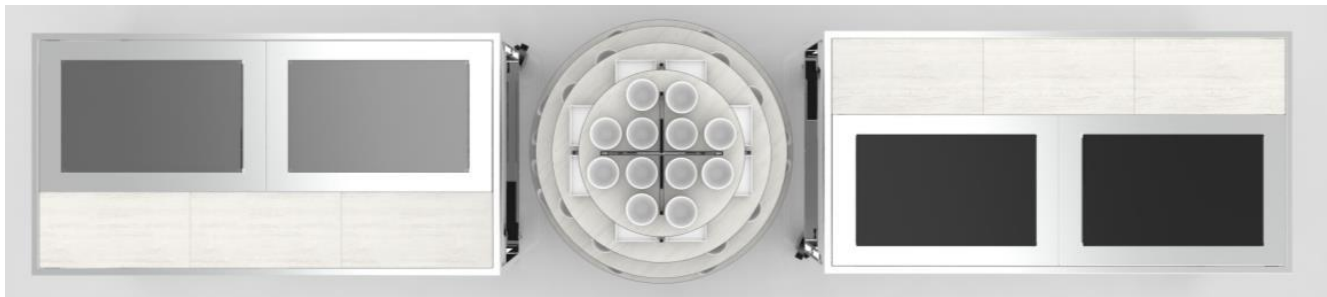
Copyright by La Tavola

# THE EGG – TWO-SIDE BUFFET

PATENT PENDING



Customer Area



Customer Area



# THE OCTOPUS

PATENT PENDING



## For Banqueting, Lobby Lounge, Roof Tops

Modern and functional mobile front and back bar. Efficient storage and easy to deploy in any area of the property. Customized finishes make it organic with existing / planned interior décor.

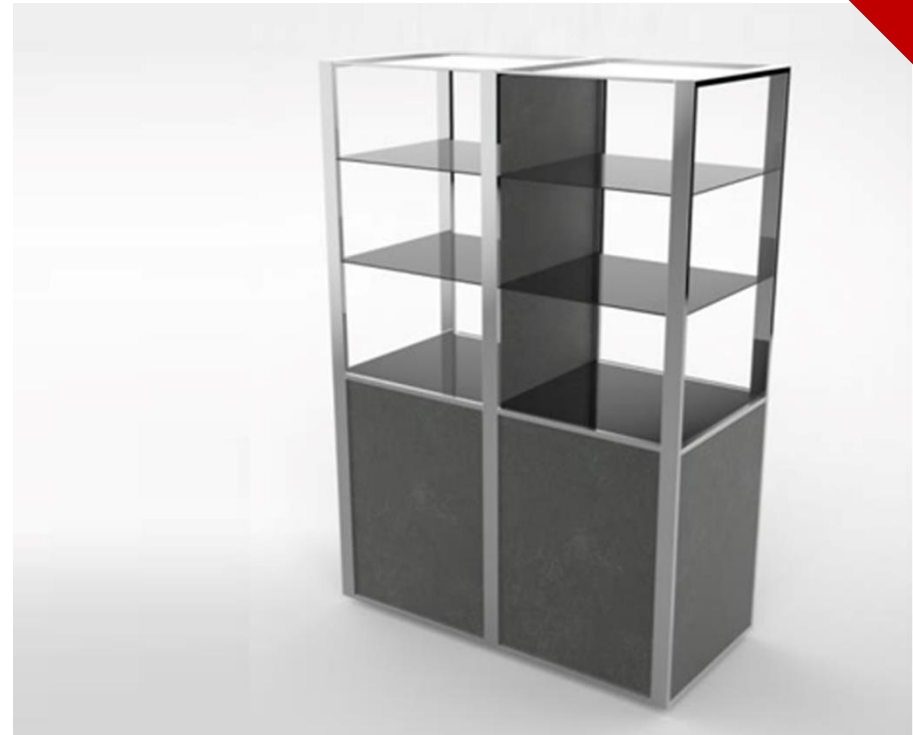
**la tavola**<sup>®</sup>

Copyright by La Tavola

# THE OCTOPUS

Operational function equivalency: 2 Front Bar Stations and 2 Back Bar Stations

PATENT PENDING



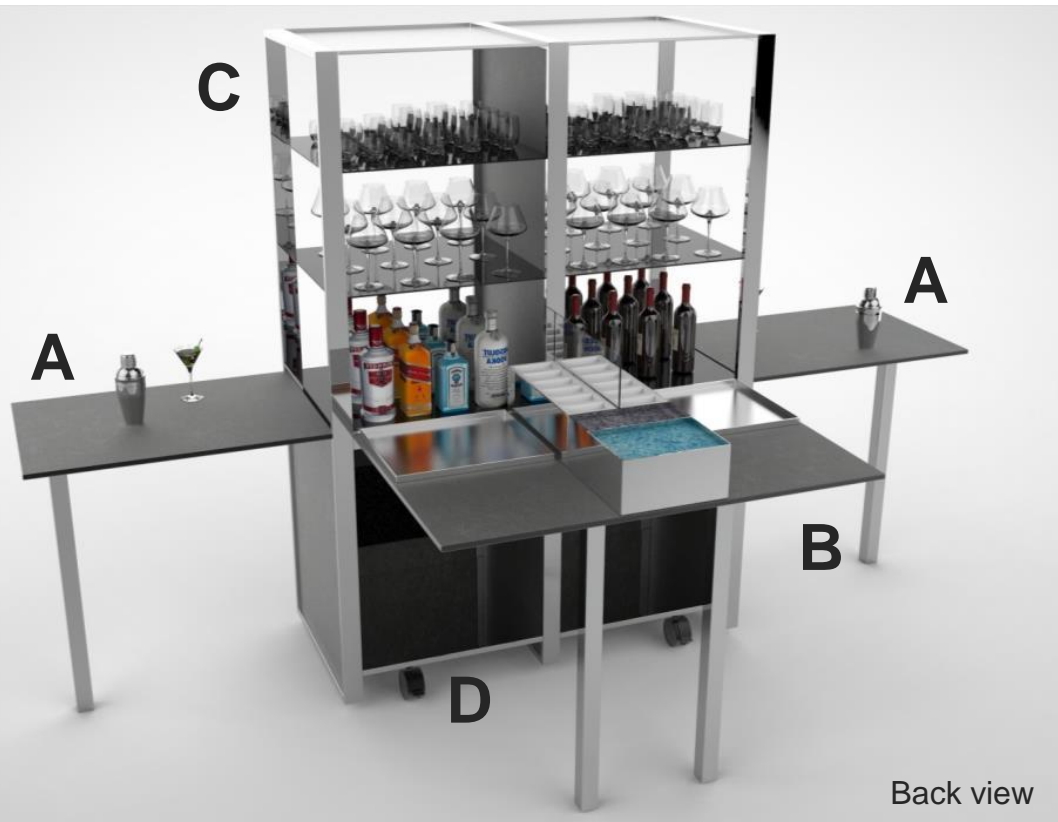
## Features:

- L 135, W 65, H 180 cm (closed)
- L 295, W 65 - 145 , h 180 cm (open)
- Refill & Rotate system
- 6 bottle/glass display shelves
- Large preparation area (front and back)
- Storage space on bottom level
- Available with fridge unit
- Heavy duty designer wheels with brakes

**la tavola**<sup>®</sup>

Copyright by La Tavola

# THE OCTOPUS



## The Octopus is composed of:

- A** Cocktail display area. Foldable top surface  
Dimensions: 80 cm x 60 cm – h 90 cm

---

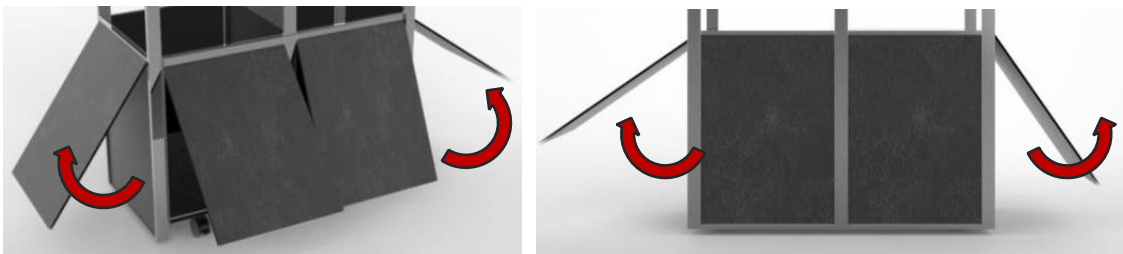
- B** Cocktail preparation area.  
Top surface composed of:  
2 cutting boards and liquid recovery system  
(1 for each side).  
Foldable top surface.  
Dimensions: 130 cm x 80 cm – h 90 cm  
CHILL IT pan and central Ice Well  
(cube/crashed) in the middle

---

- C** Bottles/glass display shelves  
Available with glass or HPL surface

---

- D** Storage space on the bottom.  
Available with fridge unit inside



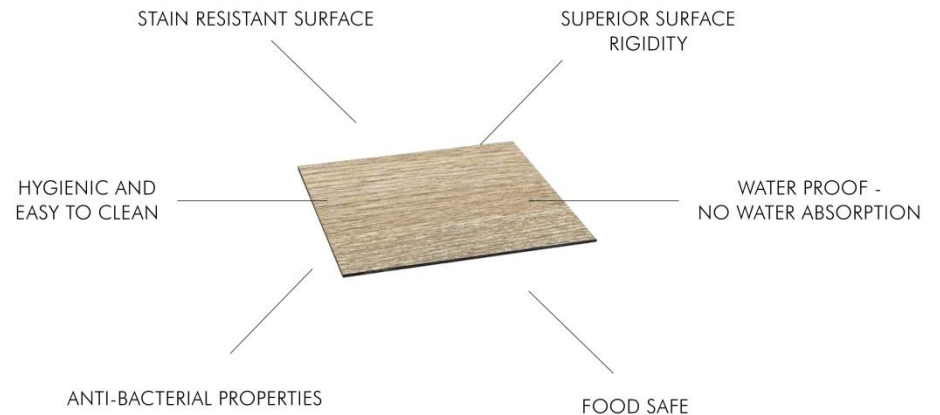
Foldable top surfaces

# HPL TABLE TOPS AND SIDES

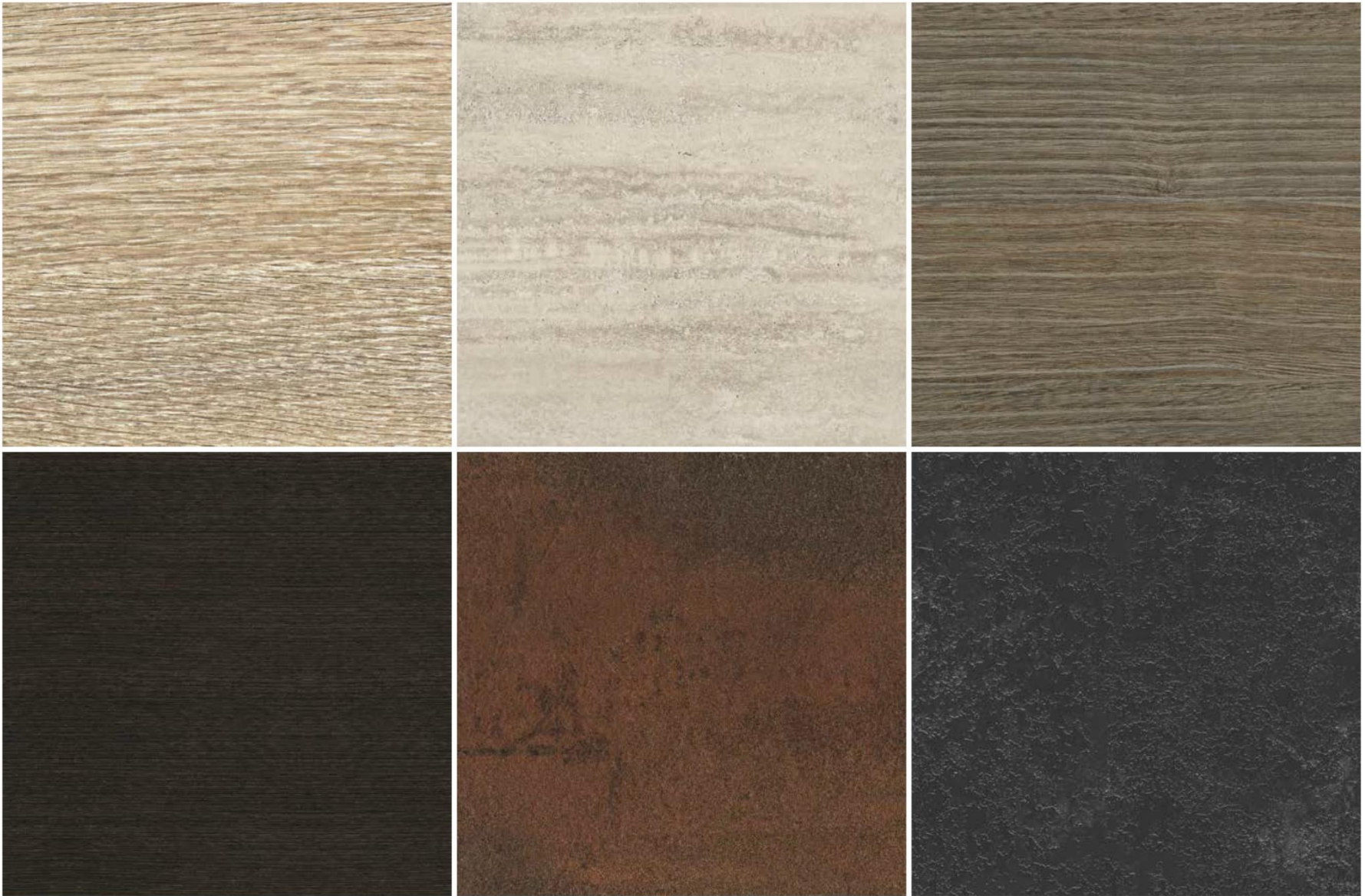
LIGHTWEIGHT,  
DURABLE AND EASY  
TO CLEAN

The tiles are made of **High Pressure Laminate (HPL)**, a high-performing material ideal for the intensive use which is typical in the foodservice industry.

HPL tops and sides are durable and lightweight. They have a great look and feel, and with a variety of different finishes available, matching your interior décor is easy.



**MATERIALS** - HPL TABLE TOPS AND SIDES



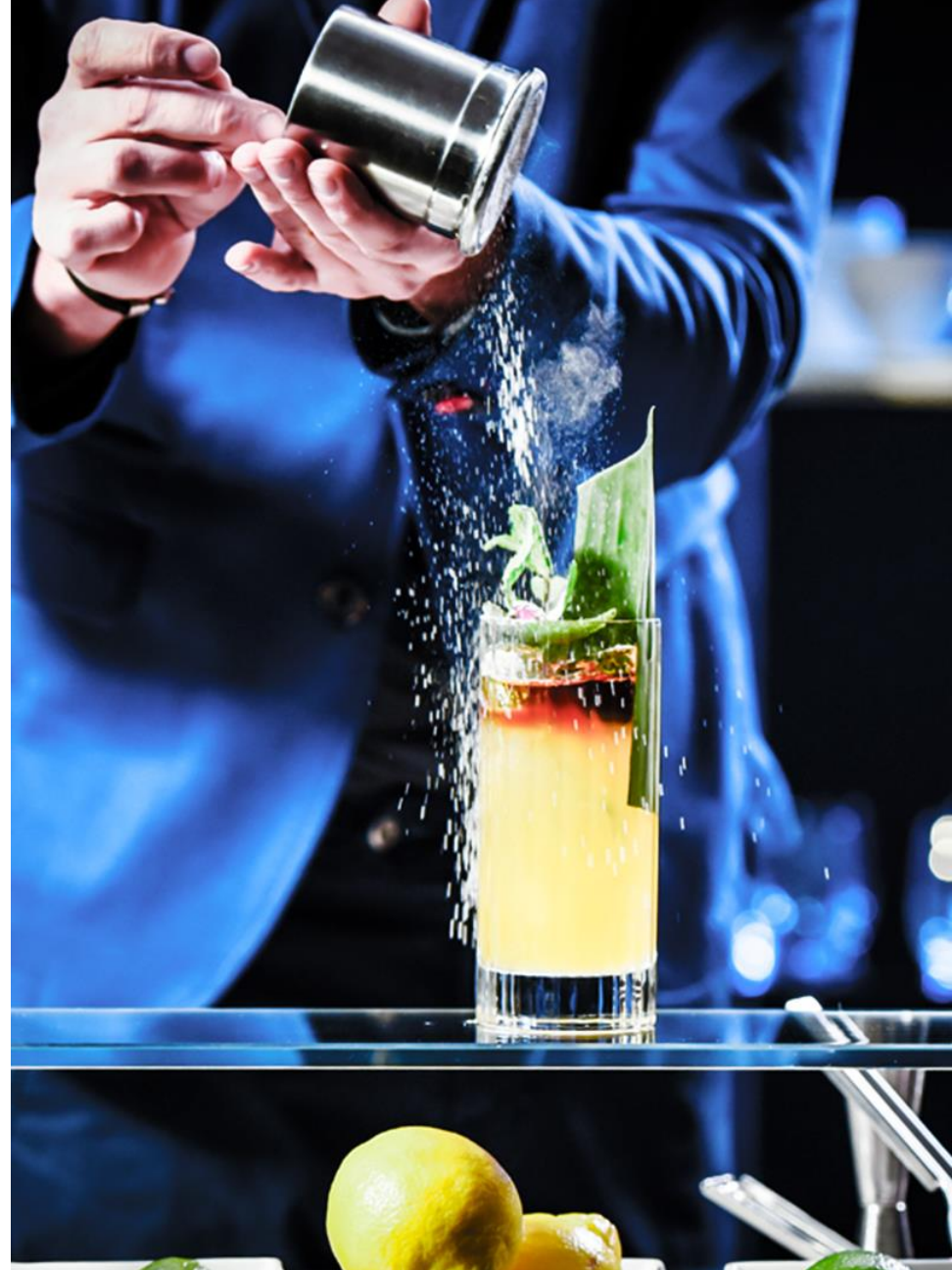
**MATERIALS** - HPL TABLE TOPS AND SIDES



**COCKTAIL & BUFFET TABLES**

ITALIAN DESIGN RENDERS OUR COLLECTION OF CHIC **COCKTAIL TABLES** THE PERFECT, EASY-TO-ASSEMBLE COMPLEMENT TO STAND-UP EVENTS, COCKTAIL PARTIES OUR OUTDOOR FUNCTIONS.

Their unique height means that guests can comfortably stand around enjoying a drink and some hors d'oeuvres anywhere on your property. Foldable legs and magnetic connections mean transport and storage are a breeze. **Parties and functions on your property will never be the same again once you discover the joys of having a mobile fleet of elegant tables that can be used for anywhere, anytime.**



# LUXURY COCKTAIL TABLES



Dimensions: Base 55, Top 60, H 110 (cm)

**For Banqueting, Meeting facilities, Cocktail service, bars**

A unique design and superior look&feel. When total immersion in luxury is the objective



# LUXURY COCKTAIL TABLES



## Features:

- Glass or ceramic tops available
- Glass /ceramic top edge protection system

- Perfect stability
- Unique design

- **Base: stainless steel satin finish**
- **Structure: stainless steel mirror finish**

*Fast and easy locking system*

- Efficient storage system
- Cart for up to 6 tables with professional handles for easy moving

**la tavola®**

Copyright by La Tavola

# LUXURY COCKTAIL TABLES – FINISHES AND MATERIALS

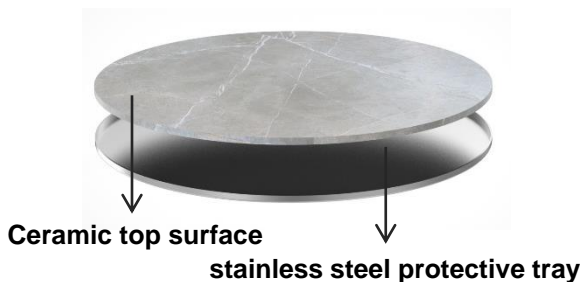
## CERAMIC TOPS



### EXTREME PERFORMANCE UNDER HEAVY DUTY USE

The materials (ceramic, marble, stone and metal) used to create our tech\_metals, tech-marbles, tech\_stones, tech-classics and tech-woods are mixed, pressed under high power (4000 tons) and then subjected to extreme temperatures (up to 1700C), making them virtually 100% water proof, stain resistant and extremely long lasting.

The surface coating of the high tech tiles is achieved by the high temperature application of micrometric particles of titanium dioxide which allows the creation of a superior surface with exceptional antibacterial properties.



## HPL (HIGH PRESSURE LAMINATE) TOPS



### LIGHTWEIGHT, DURABLE AND EASY TO CLEAN

The tiles are made of HPL, a high performing material ideal for the intensive use which is typical in the foodservice industry.

HPL tops and sides are durable and lightweight. They have a great look and feel, and with a variety of different finishes available, matching your interior décor is easy.



# FOLDABLE BUFFET TABLES



Dimensions: 80x80cm H 75/90/105/120

**For Banqueting, Meeting facilities, Cocktail service, bars**

A unique design and superior look&feel. When total immersion in luxury is the objective

**Other top surfaces available:**



Round - 85cm dm H 75/90/105/120

**la tavola®**

Copyright by La Tavola

# FOLDABLE OBLONG BUFFET TABLES



Dimensions: 180 x 80 cm – H 75/90 cm

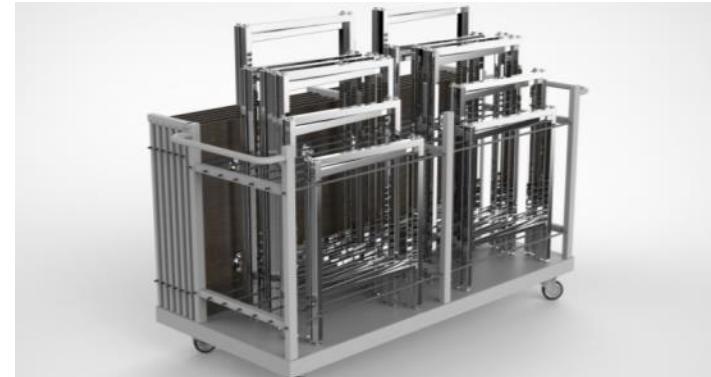
# FOLDABLE COCKTAIL TABLES



**la tavola**<sup>®</sup>  
Copyright by La Tavola

*Lower level for bag storage, etc*

# FOLDABLE BUFFET TABLES



## Features:

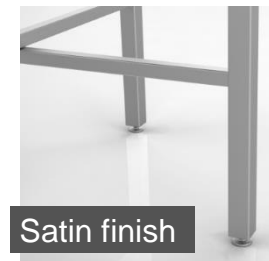
- Surface sits on 4 legs equipped with magnetic locking system
- 4 feet with height regulation
- Good stability
- Modern design
- Efficient storage system
- Cart for up to 12 foldable tables (or 6 oblong buffet tables)

# FOLDABLE BUFFET TABLE FINISHES

## TOP SURFACE FINISHES - HPL



## STAINLESS STEEL OPTIONS



## POWDER PAINT COATED



Powder coating for highly weather-resistant architectural applications with extremely high color and weather resistant. Suitable for components in architectural, infrastructure and nautical applications with high demands on appearance and UV resistance



## ENTERTAINMENT & EVENTS



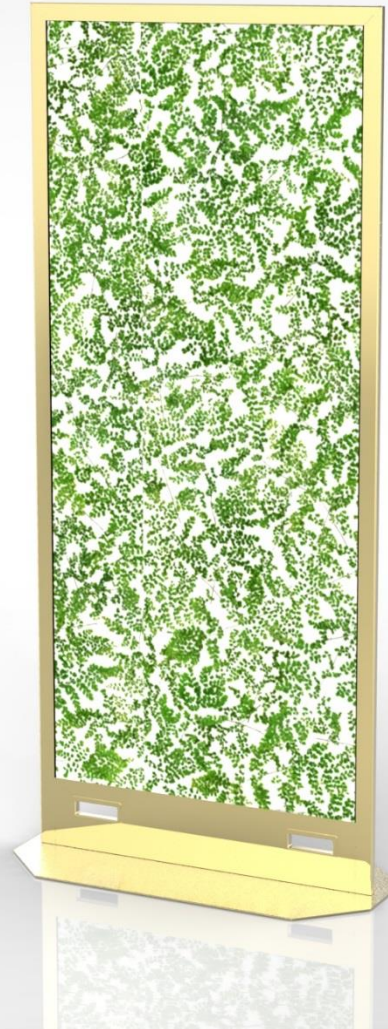
A PRACTICAL AND ELEGANT COLLECTION OF THE MOST USEFUL PIECES YOU COULD POSSIBLY NEED FOR CONFERENCES, LARGE-AUDIENCE AND PUBLIC SPEAKING EVENTS.

**Room dividers** are the perfect way to segment large spaces such as ballrooms when you have more intimate events or to organize separate spaces within one area. Our **lectern** and **projector cart** finish the collection and are the high-tech must haves if your property caters for conferences and business travelers seeking to conduct their own events!



# ROOM DIVIDER

PATENT PENDING



Dimensions: 83 L, 42 D, H180 (cm)

## For Banqueting, Meeting facilities

For the detail oriented hotelier who is pursuing a total-look concept, stylish dividers with innovative finishes and colour patterns to match any style of interior décor

# ROOM DIVIDER

PATENT PENDING



## Features:

- Perfect stability
- Heavy duty and durable

- Styled to match interior décor and other banqueting furniture
- Edge protection system

*Handle for easy gripping*

- Innovative octagonal base allows original configuration

**la tavola**<sup>®</sup>

Copyright by La Tavola

# ROOM DIVIDER FINISHES

## METALLIC LOOK FINISHES



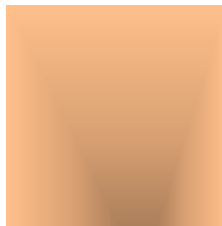
SILVER



GOLD



ORANGE CLOUD



COPPER



## HPL PANEL FINISHES more finishes available



TRAVERTINE



GREY STONE



BROWN SHELL



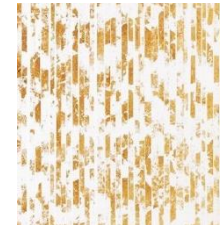
LIGHT BROWN



**la tavola**<sup>®</sup>

Copyright by La Tavola

## SEE THROUGH PANEL FINISHES more finishes available



GOLD STRIPS



COPPER COMET



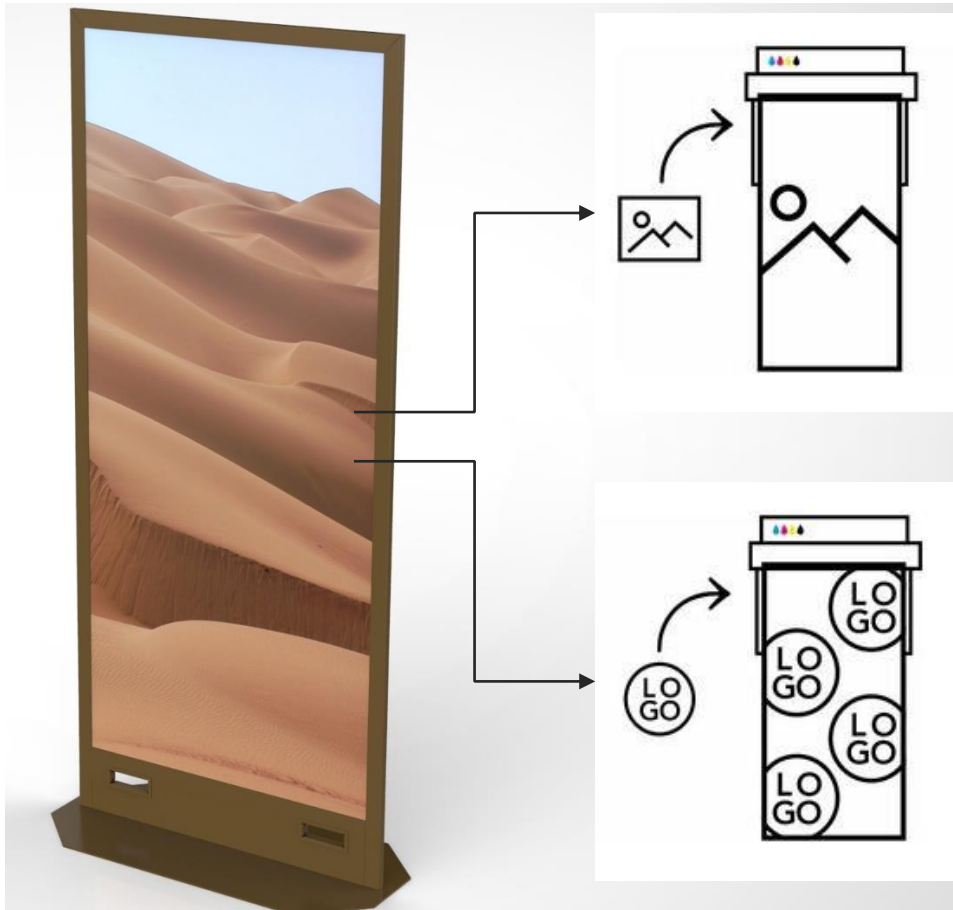
MAIDENHAIR



BLACK FOLDS



# ROOM DIVIDER CUSTOMISATION



## HPL printed panel

The HPL can be customised with any image (picture, logo, etc.) of your choosing. We can print anything you want onto the panels!

This is the perfect option for those who want to brand the products with their own logo.



**la tavola**<sup>®</sup>

Copyright by La Tavola

# LECTERN

PATENT PENDING



Dimensions: L 50, W 50, H120 (cm)

## For Banqueting, Meeting facilities

For the detail oriented hotelier who is pursuing a total-look concept, stylish lectern with finishes to match any style of decoration.

## Features:

- Perfect stability
- Reading lamp
- Different finishes available
- Hidden electric cable system

**la tavola**<sup>®</sup>

Copyright by La Tavola

# LECTERN - EXAMPLE FINISHES

## HPL PANEL FINISHES more finishes available



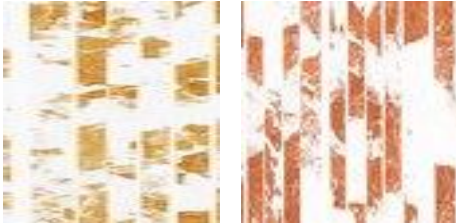
TRAVERTINE      GREY STONE



BROWN SHELL      LIGHT BROWN



## SEE THROUGH MINERAL RANGE more finishes available



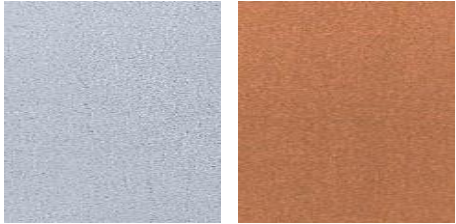
GLINT GOLD      GLINT COPPER



GLINT SILVER      SWEPT GOLD



## SEE THROUGH METALLIC RANGE more finishes available



PURE SILVER      PURE COPPER



PURE GOLD



# PROJECTOR CART

PATENT PENDING

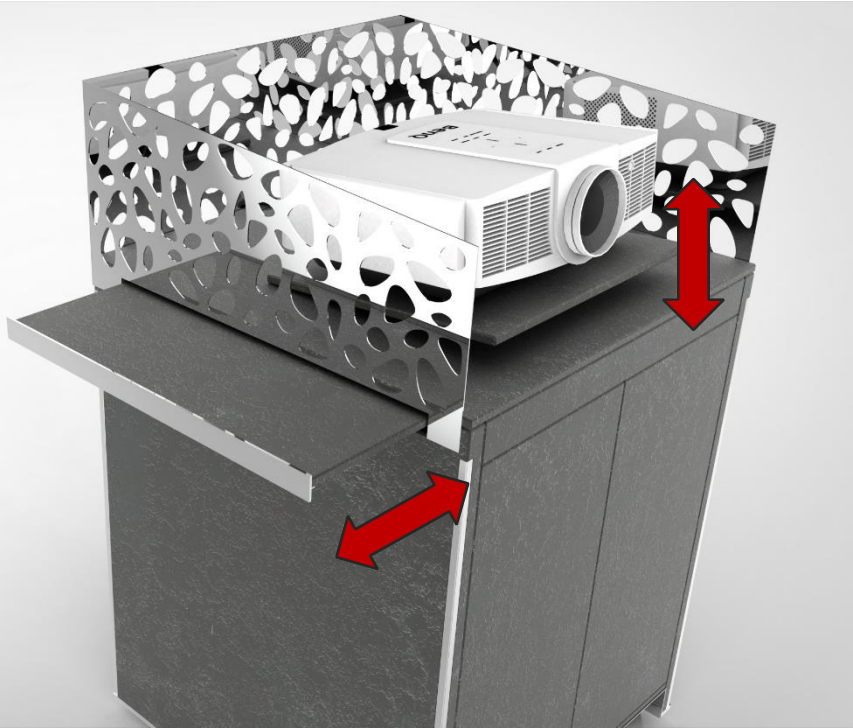


Dimensions: L 60, W 60, H 86 (cm)



# PROJECTOR CART

PATENT PENDING



*Adjustable angle*



*Laptop platform*

## Features:

- Perfect stability
- Hidden cable system
- Height adjustable projector platform
- Stainless Steel Edge protection system
- 4 hidden wheels ( 2 with brakes)
- Removable hidden laptop platform

**la tavola**<sup>®</sup>

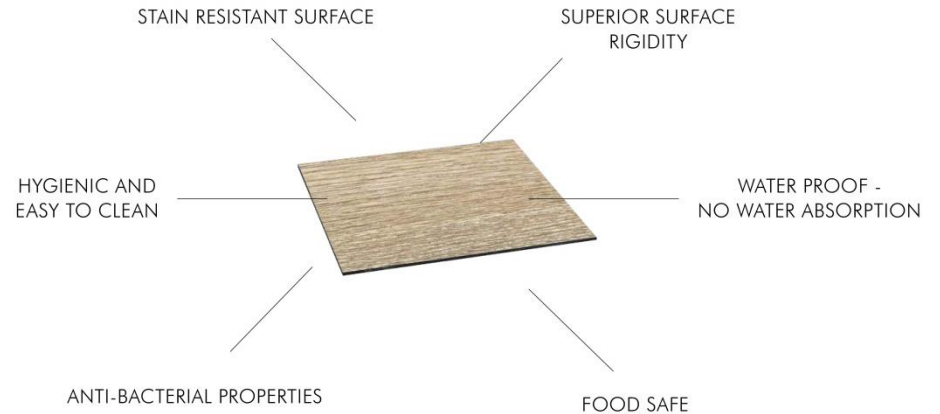
Copyright by La Tavola

# HPL TABLE TOPS AND SIDES

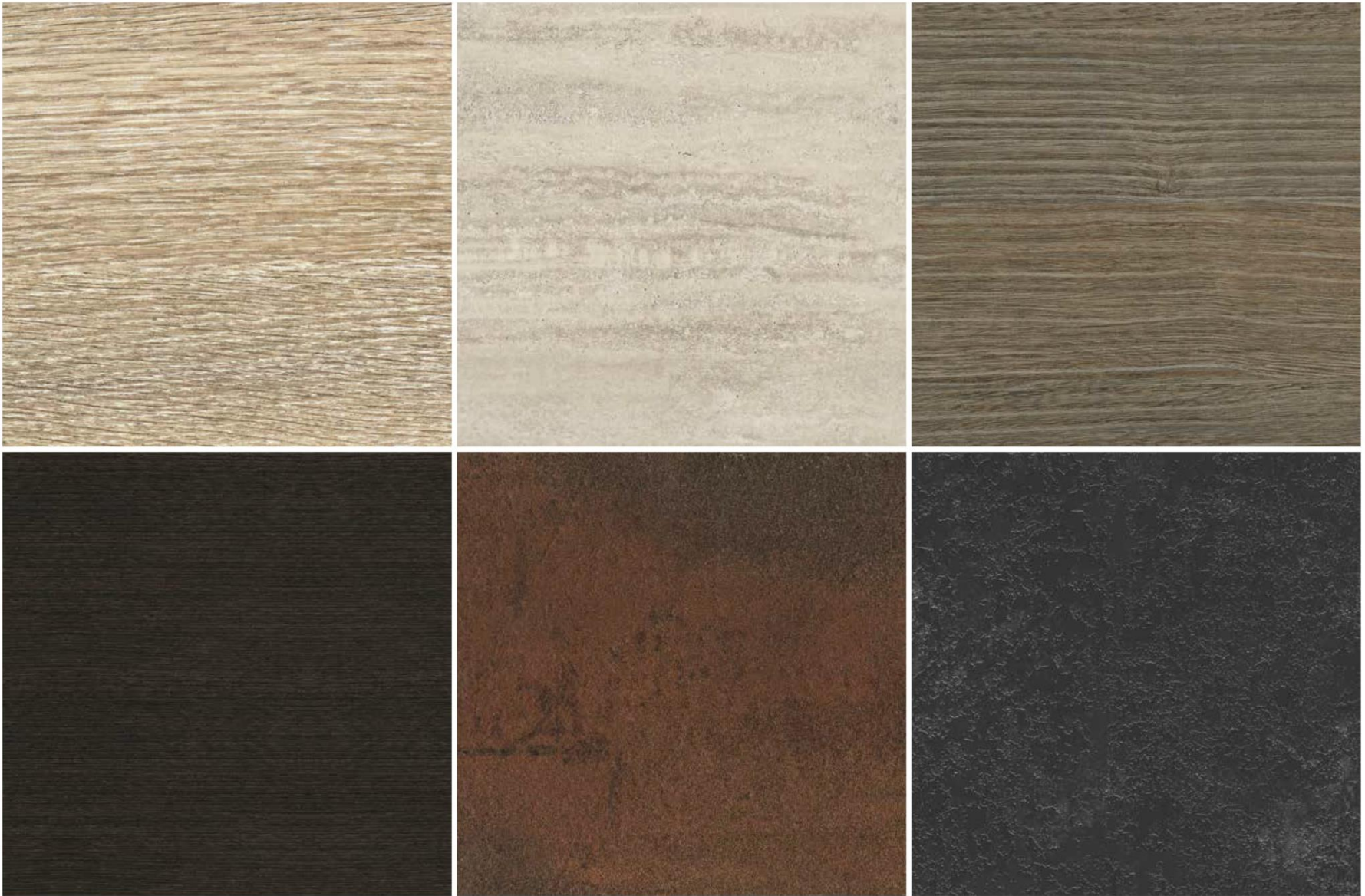
LIGHTWEIGHT,  
DURABLE AND EASY  
TO CLEAN

The tiles are made of **High Pressure Laminate (HPL)**, a high-performing material ideal for the intensive use which is typical in the foodservice industry.

HPL tops and sides are durable and lightweight. They have a great look and feel, and with a variety of different finishes available, matching your interior décor is easy.



**MATERIALS** - HPL TABLE TOPS AND SIDES



**MATERIALS** - HPL TABLE TOPS AND SIDES

# la tavola®

## WHO ARE WE ?

La Tavola is an Italian company that designs, manufactures and markets high-end tabletop items.

Our buffet equipment, flatware patterns, modern holloware collections and classic silverware are coveted by hoteliers and restaurateurs around the globe.

With the recent introduction of the Wonderbuffet® line, La Tavola promises to revolutionize food presentation in a buffet setting.

## THE FOUNDERS

Brothers Sergio and Giulio Sambonet, having been behind the success of other prominent industry players (the Sambonet Company, Sant'Andrea and Table Top Engineering & Design), now bring a lifetime of industry-specific experience to La Tavola. Today, Sergio's son Matteo represents the seventh generation of the Sambonet family still filled with passion for creating beautiful and innovative table top products.

## THE TEAM

La Tavola's team includes skilled engineers, architects and artisans.

We strive to achieve three objectives: to be at the forefront of innovation, the most stylish and the most thorough in service.

## WORLDWIDE IMPACT

La Tavola provides in-loco service and assistance through its tight network of worldwide distribution partners.

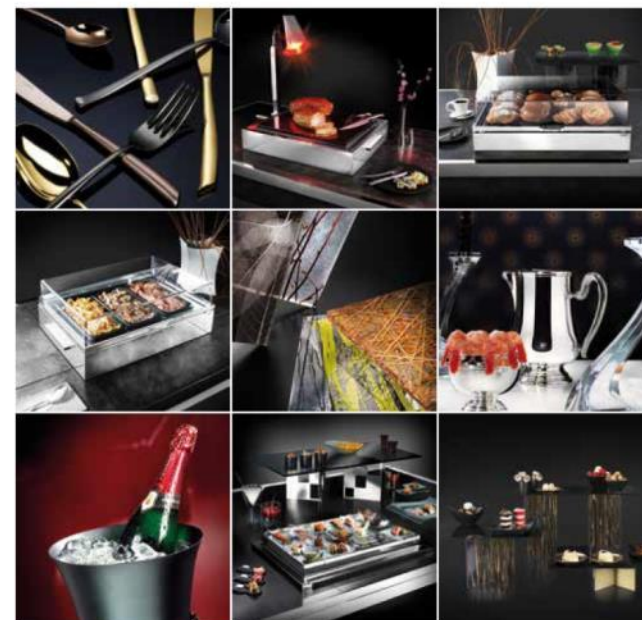
## ROOTS

La Tavola is a proud representative of Italian creativity, design and manufacturing.



## DISCOVER ALL OF LA TAVOLA'S COLLECTIONS

visit [www.la-tavola.it](http://www.la-tavola.it)



## CONTACT US!

OUR DESIGNERS ARE AT YOUR COMPLETE DISPOSAL FOR A FREE CONSULTATION

# CUSTOMER REFERENCES





# ITALIAN DESIGN, TECHNOLOGY AND MANUFACTURING

## CONCEPT, DESIGN AND PATENTS

by Sergio Sambonet

### REGISTERED DESIGNS

All product designs are registered by La Tavola.  
Any reproduction or imitation is forbidden by law.

### PATENTS

The Dynamic Built-in Modular System®, Magic Chafer®, Cover Oven Dry Chafer®, Dry Warmer for Induction® and Dry Chafer for Induction® are protected by international patents issued and/or currently pending.

LA TAVOLA will not hesitate to take legal action against any infringement of patents or registered designs in order to fully protect its intellectual property.

The purchasing of imitation goods may also have legal implications.

Design and technical information shown in this document is subject to copyright and may not be used by other parties without prior written approval from LA TAVOLA.

MODULAR LINE  
ACTION STATION



**la tavola**<sup>®</sup>  
WONDERBUFFET

**DOWNLOAD CATALOG**

**la tavola**<sup>®</sup>  
Copyright by La Tavola

**la tavola<sup>®</sup>**

LA TAVOLA s.r.l. – Via Pietro Micca, 51 – 13100 Vercelli (Italy)  
phone +39 0161.251959 – [contact@la-tavola.it](mailto:contact@la-tavola.it) – [www.la-tavola.it](http://www.la-tavola.it)